

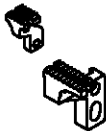














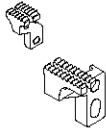

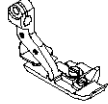

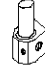




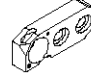

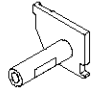



SIRUBA GAGE PARTS LIST		Series						Remark						Page	Date		
		700K												1 / 2	2016/11/20		
																	
機 型 MODEL		針板 NEEDLE PLATE	送具 FEED DOG	送具 FEED DOG	押具 PRESSER FOOT	勾 針 LOOPER	針留 NEEDLE CLAMP	束 子 COLLER	衝 程 CRANK	衝 程 CRANK	大 心 Crankshaft	勾針連桿座 Upper Looper Holder	過線器 Bracket	下刀架 Lower Knife Holder	針 號 NEEDLE		
737K	503M2-04	E222	D210K	D207	H204K	P201-14A	LP231	KG231K-E	KJ204	KF203-E	KJ206-E	KD201K	KJ236	KJ219	KR209	DCX27#11	
	504F1-04	E206	D201K	D207	H201K	P201-14A	LP225	KG231K-E	KJ204	KF203-E	KJ206-E	KD201K	KJ236	KJ219	KR209	DCX27#9	
	504F1-15	E233K	D201K	D217	H201K	P214P-A	LP225	KG231K-E	KJ204	KF203-E	KJ206-E	KD201K	KJ236	KJ219	KR209	DCX27#9	
	504F2-02/GAL	E233K	D201K	D217	H201K	P214P-2A	LP225	KG231K-E	KJ204	KF203-E	KJ206-E	KD201K	KJ236	KJ219	KR209	DCX27#9	
	504M1-15	E207	D201K	D209	H201K	P211-A	LP225	KG231K-E	KJ204	KF203-E	KJ206-E	KD201K	KJ236	KJ219	KR209	DCX27#9	
	504M2-04	E222	D210K	D207	H204K	P201-14A	LP225	KG231K-E	KJ204	KF203-E	KJ206-E	KD201K	KJ236	KJ219	KR209	DCX27#11	
	504M2-04LFC-3	E222	D210K	D207	H204K	P216-3	LP225	KG231K-E	KJ204	KF203-E	KJ206-E	KD201K	KJ236	KJ219	KR209	DCX27#11	
	504M2-04TR	E222	D210K	D207	H204K	P216-3	LP225	KG231K-E	KJ204	KF203-E	KJ206-E	KD201K	KJ236	KJ219	KR209	DCX27#11	
	WR/LFC-3	E246					LP225	KG231K-E	KJ204	KF203-E	KJ206-E	KD201K	KJ236	KJ219			DCX27#11
	504M3-04	E220	D210K	D209	H204K	P201-14A	LP225	KG231K-E	KJ204	KF203-E	KJ206-E	KD201K	KJ236	KJ219	KR209	DCX27#11	
	504M3-05	E221	D210K	D209	H204K	P201-14A	LP225	KG231K-E	KJ204	KF203-E	KJ206-E	KD201K	KJ236	KJ219	KR209	DCX27#11	
	504M3-05PZ	E221	D210K	D209	H204K	P257-A	LP225	KG231K-E	KJ204	KF203-E	KJ206-E	KD201K	KJ236	KJ219	KR209	DCX27#18	
	504M5-04BK	E232	D203K	D207	H203K	P202-2A	LP225	KG231K-E	KJ204	KF203-E	KJ206-E	KD201K	KJ236	KJ219	KR209	DCX27#11	
	504M5-04BK-1	E232	D203K	D207	H203K	P202-2A	LP225	KG231K-E	KJ204	KF203-E	KJ206-E	KD201K	KJ236	KJ219	BK239	DCX27#11	
	505F1-04	E206	D201K	D207	H201K	P203-A	LP225	KG231K-E	KJ204	KF203-E	KJ206-E	KD201K	KJ236	KJ219	KR209	DCX27#9	
747K	512M1-25	E208	D210K	D207	H204K	P201-A	LP228	KG242K-E	KJ204	KF215-E	KJ203-E	KD201K	KJ208	KJ219	KR209	DCX27#11*2	
	512M1-34	E236	D210K	D207	H204K	P214-A	LP228	KG254K-E	KJ204	KF215-E	KJ203-E	KD201K	KJ208	KJ219	KR209	DCX27#14*2	
	514F1-24	E212K	D210K	D207	H204K	P201-A	LP226	KG242K-E	KJ234K	KF203-E	KJ203-E	KD201K	KJ208	KJ219	KR209	DCX27#11*2	
	514H4-24GA	E229	D202K	D207	H202K	P204-A	LP226	KG242K-E	KJ234K	KF203-E	KJ203-E	KD201K	KJ208	KJ219	KR209	DCX27#11*2	
	514H4-24GA/P	E229	D202K	D207	H202K	P204P-A	LP226	KG242K-E	KJ234K	KF203-E	KJ203-E	KD201K	KJ208	KJ219	KR209	DCX27#11*2	
	514M2-24	E229	D210K	D207	H204K	P201-A	LP226	KG242K-E	KJ234K	KF203-E	KJ203-E	KD201K	KJ208	KJ219	KR209	DCX27#11*2	
	514M2-24TG	E229	D210K	D207	H204K	P254J-4A	LP226	KG242K-E	KJ234K	KF203-E	KJ203-E	KD201K	KJ208	KJ219	KR209	DCX27#11*2	
	514M2-24LFC-3	E229	D210K	D207	H204K	P216-4	LP226	KG242K-E	KJ234K	KF203-E	KJ203-E	KD201K	KJ208	KJ219	KR209	DCX27#11*2	
	514M2-25	E208	D210K	D207	H204K	P201-A	LP226	KG242K-E	KJ234K	KF203-E	KJ203-E	KD201K	KJ208	KJ219	KR209	DCX27#11*2	
	514M2-25TG	E208	D210K	D207	H204K	P254J-4A	LP226	KG242K-E	KJ234K	KF203-E	KJ203-E	KD201K	KJ208	KJ219	KR209	DCX27#11*2	
	514M2-25LFC-3	E208	D210K	D207	H204K	P216-4	LP226	KG242K-E	KJ234K	KF203-E	KJ203-E	KD201K	KJ208	KJ219	KR209	DCX27#11*2	
	514M2-28	E239	D210K	D207	H204K	P201-8A	LP227A	KG242K-E	KJ204K	KF203-E	KJ203-E	KD201KA	KJ228	KJ238	KR209	DCX27#11*2	
	514M4-23	E249	D210K	D209	H204K	P201-2A	LP226	KG242K-E	KJ234K	KF203-E	KJ203-E	KD201K	KJ208	KJ219	KR209	DCX27#11*2	
	514M5-23BK	E210	D203K	D207	H203K	P202-A	LP226	KG242K-E	KJ234K	KF203-E	KJ203-E	KD201K	KJ208	KJ219	KR209	DCX27#11*2	
	514M5-23BK-1	E210	D203K	D207	H203K	P202-A	LP226	KG242K-E	KJ234K	KF203-E	KJ203-E	KD201K	KJ208	KJ219	BK239	DCX27#11*2	

SIRUBA GAGE PARTS LIST		Series						Remark						Page	Date		
		700K												2 / 2	2016/09/19		
																	
機 型 MODEL		針板 NEEDLE PLATE	送具 FEED DOG	送具 FEED DOG	押具 PRESSER FOOT	勾 針 LOOPER	針筒 NEEDLE CLAMP	束 子 COLLER	衝 程 CRANK	衝 程 CRANK	大 心 Crankshaft	勾針連桿座 Upper Looper Holder	過線器 Bracket	下刀架 Lower Knife Holder	針 號 NEEDLE		
747K	514M5-24BK	E247	D203K	D207	H203K	P202-A	LP226	KG242K-E	KJ234K	KF203-E	KJ203-E	KD201K	KJ208	KJ219	KR209	DCX27#11#2	
	514M5-24BK-1	E247	D203K	D207	H203K	P202-A	LP226	KG242K-E	KJ234K	KF203-E	KJ203-E	KD201K	KJ208	KJ219	KR209	DCX27#11#2	
	514M7-24	E226	D212	D207	H210	P201-A	LP230	KG242K-E	KJ204K	KF203-E	KJ203-E	KD201KA	KJ228	KJ238	KR209	DCX27#16#2	
	514M7-24BK	E247	D203K	D207	H203K	P202-A	LP230	KG242K-E	KJ204K	KF203-E	KJ203-E	KD201KA	KJ228	KJ238	KR209	DCX27#16#2	
	514M7-24BK-1	E247	D203K	D207	H203K	P202-A	LP230	KG242K-E	KJ204K	KF203-E	KJ203-E	KD201KA	KJ228	KJ238	BK239	DCX27#16#2	
	514M7-24TG	E226	D212	D207	H210	P254J-4A	LP230	KG242K-E	KJ204K	KF203-E	KJ203-E	KD201KA	KJ228	KJ238	KR209	DCX27#16#2	
	514M7-25	E225	D212	D207	H210	P201-A	LP230	KG242K-E	KJ204K	KF203-E	KJ203-E	KD201KA	KJ228	KJ238	KR209	DCX27#16#2	
	514M7-25BK	E248	D203K	D207	H203K	P202-A	LP230	KG242K-E	KJ204K	KF203-E	KJ203-E	KD201KA	KJ228	KJ238	KR209	DCX27#16#2	
	514M7-25BK-1	E248	D203K	D207	H203K	P202-A	LP230	KG242K-E	KJ204K	KF203-E	KJ203-E	KD201KA	KJ228	KJ238	BK239	DCX27#16#2	
	514M7-25TG	E225	D212	D207	H210	P254J-4A	LP230	KG242K-E	KJ204K	KF203-E	KJ203-E	KD201KA	KJ228	KJ238	KR209	DCX27#16#2	
757K	401M1/TW	E237	D219K		H219K	P508-A		KG253K-E	KJ204	KF203-E	KJ206-E	KD201K	TW201		DCX27#14#1		
	516H4-35GA	E213	D204K	D207	H205K	P508J-A		LP226	KG253K-E	KJ204	KF203-E	KJ206-E	KD201K	KJ236	KJ219	KR219	DCX27#14#2
	516H4-35GA/P	E213	D204K	D207	H205K	P508JP-A		LP226	KG253K-E	KJ204	KF203-E	KJ206-E	KD201K	KJ236	KJ219	KR219	DCX27#14#2
	516H4-55GA	E214	D205K	D207	H206K	P509J-A		LP226	KG255K-E	KJ204	KF203-E	KJ206-E	KD201K	KJ236	KJ219	KR219	DCX27#14#2
	516H4-55GA/P	E214	D205K	D207	H206K	P509JP-A		LP226	KG255K-E	KJ204	KF203-E	KJ206-E	KD201K	KJ236	KJ219	KR219	DCX27#14#2
	516L1-24	E215	D206	D207	H207	P500J-A		LP225	KG252K-E	KJ204	KF203-E	KJ206-E	KD201K	KJ236	KJ219	KR219	DCX27#14#2
	516L1-35	E216	D206	D207	H212	P504J-A		LP225	KG253K-E	KJ204	KF203-E	KJ206-E	KD201K	KJ236	KJ219	KR219	DCX27#14#2
	516M2-35	E217	D208K	D207	H208K	P504J-A		LP226	KG253K-E	KJ204	KF203-E	KJ206-E	KD201K	KJ236	KJ219	KR219	DCX27#14#2
	516M2-35PS	E227	D208K	D207	H214K	P504JS-A		LP226	KG253K-E	KJ204	KF203-E	KJ206-E	KD201K	KJ236	KJ219	KR219	DCX27#14#2
	516M2-55	E218	D208K	D207	H209K	P502J-A		LP226	KG255K-E	KJ204	KF203-E	KJ206-E	KD201K	KJ236	KJ219	KR219	DCX27#14#2
	516M2-55PS	E228	D208K	D207	H215K	P502JS-A		LP226	KG255K-E	KJ204	KF203-E	KJ206-E	KD201K	KJ236	KJ219	KR219	DCX27#14#2
	516X2-56	E234	D602	D601	H220A	P962-A		LP230	KG255K-E	KJ234K+KJ234	KF203-E	KJ206-E	KD201KA	KJ236	KJ238	KR223	DCX27#18#2
	401M2-30TA	E235	D211K	D222K	H216K	P224-A		KG266-E	KJ204	KF203-E	KJ206-E	KD201K	TW201		KR219	DCX27#14#2	
	401M2-50TA	E238	D211K	D222K	H216K	P223-A		KG256K-E	KJ204	KF203-E	KJ206-E	KD201K	TW201		KR219	DCX27#14#2	
767K	516M2-324	E219	D208K	D207	H209K	P233J-A		LP226	KG433K-E	KJ234K	KF203-E	KJ203-E	KD201K	KJ208	KJ219	KR219	DCX27#11#3
	516M2-524	E224	D208K	D207	H209K	P255J-A		LP226	KG455K-E	KJ234K	KF203-E	KJ203-E	KD201K	KJ208	KJ219	KR219	DCX27#11#3

SIRUBA GAGE PARTS LIST		Series				Remark										Page	Date
		700K/700KT				FOR BKF										1 / 1	2015/08/22
機 型 Model		針板 Needle Plate	送具 Feed Dog		送具 Feed Dog	押具 Presser Foot	上送具 TopFeed Dog	衝程 Crank	大心 Crank Shaft	針鎖 Needle Clamp	束子 Coller	勾針連桿座 Upper Looper Holder	上勾針 Upper Looper	下勾針 Lower Looper	針 Needle		
737K	504M5-03/BKF	E263	D210	D217	H204	P202-5A	-	KJ206-E	KD201K	KG231K-E	KJ204	KJ236	LP225	KL202	DCX27#11		
	504M5-04/BKF	E264	D210	D217	H204	P202-5A	-	KJ206-E	KD201K	KG231K-E	KJ204	KJ236	LP225	KL202	DCX27#11		
	504M5-05/BKF	E265	D210	D217	H204	P202-5A	-	KJ206-E	KD201K	KG231K-E	KJ204	KJ236	LP225	KL202	DCX27#11		
747K	514M5-23/BKF	E248K	D203	D217	H240	P202-3A	-	KJ203-E	KD201K	KG242K-E	KJ234K	KJ208	LP226	KL202	DCX27#11*2		
	514M5-24/BKF	E247K	D203	D217	H240	P202-4A	-	KJ203-E	KD201K	KG242K-E	KJ234K	KJ208	LP226	KL202	DCX27#11*2		
747KT	514H-3-23/BKF	E248K	D203	D217	H240	P606-A	D554	KJ203-E	KD201KA	KG242K-E	KJ234K	KJ208	LP227	KL202	DCX27#11*2		
	514H-3-24/BKF	E247K	D203	D217	H240	P607-A	D554	KJ203-E	KD201KA	KG242K-E	KJ234K	KJ208	LP227	KL202	DCX27#11*2		

From the library of: Diamond Research Corp



# SIRUBA

## PARTS LIST

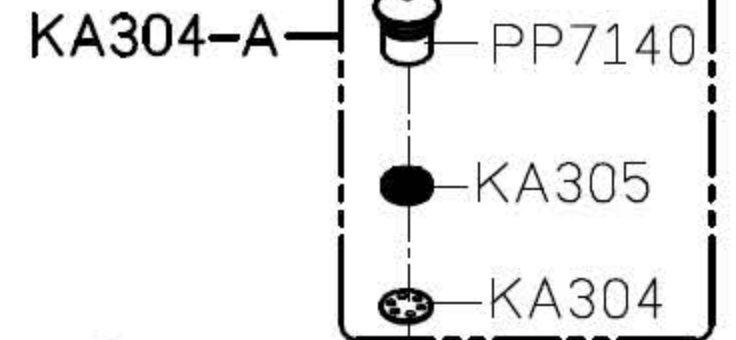
**Series****700K/700KD  
988/988D****Parts Group****KA****Subclass / Remark****\*: Use for  
700KD/988D****Page**

1/1

**Date**

2016/05/26

MODEL	700K/KD	988/988D
PARTS NO	KC230	KC231



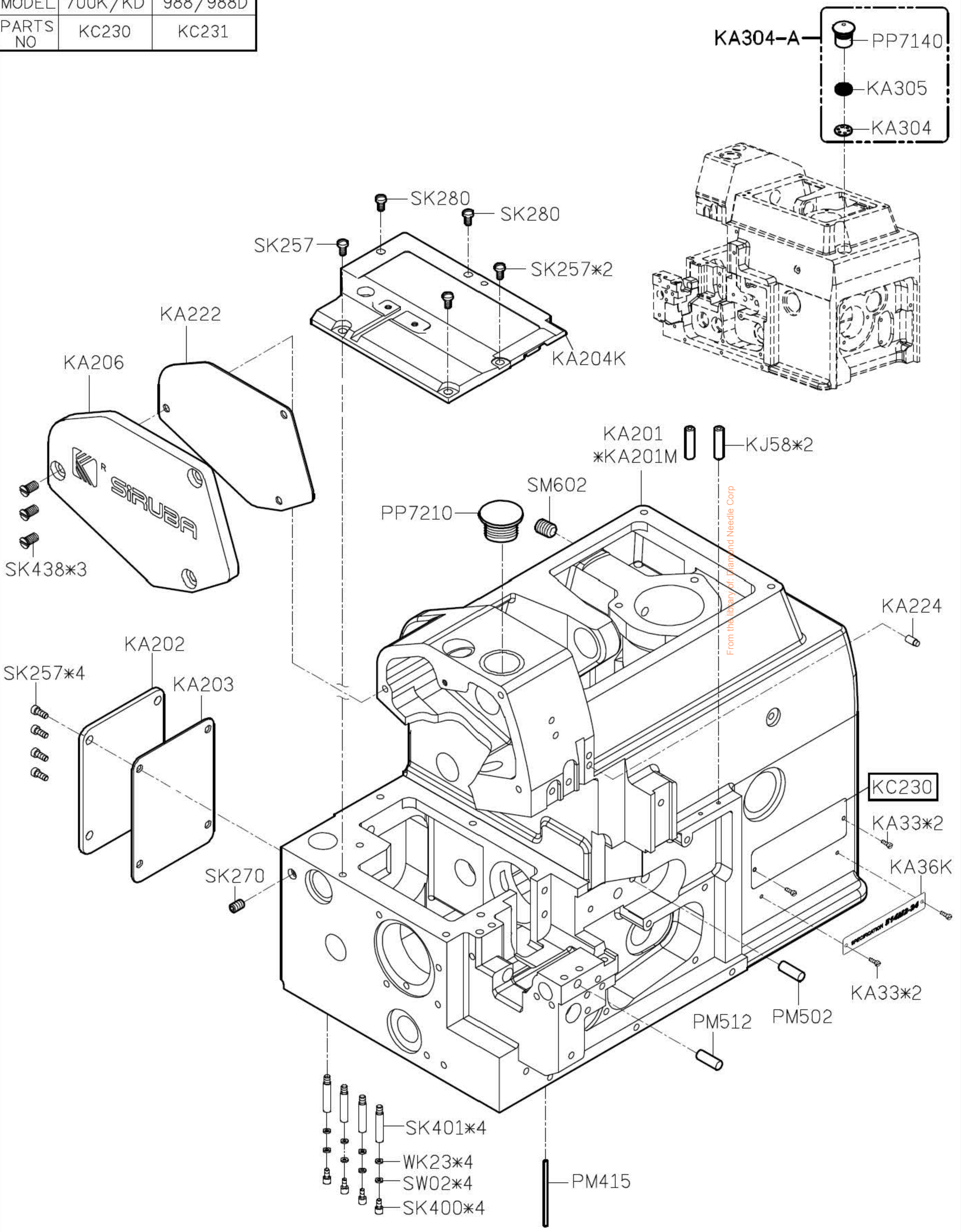
A

B

C

D

E



1

2

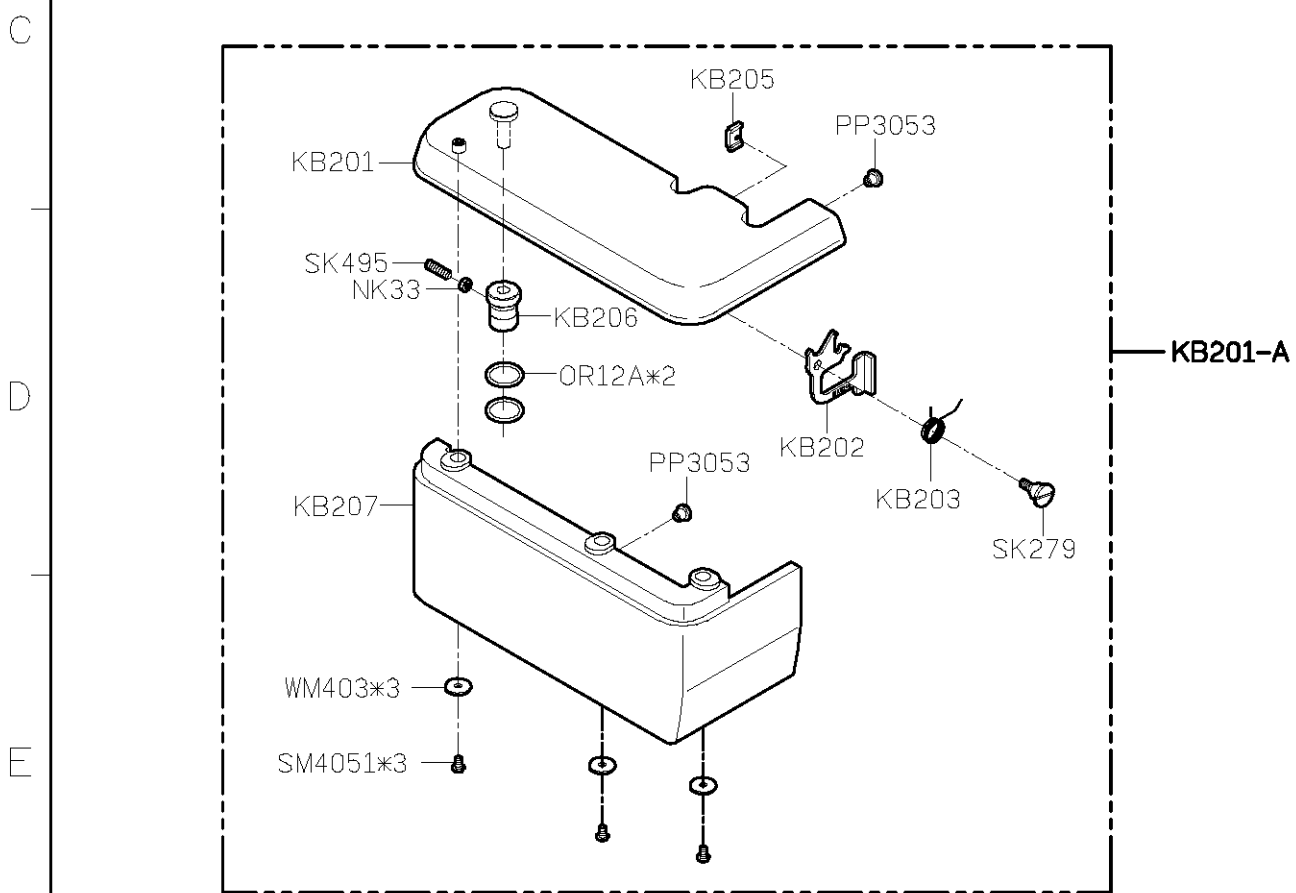
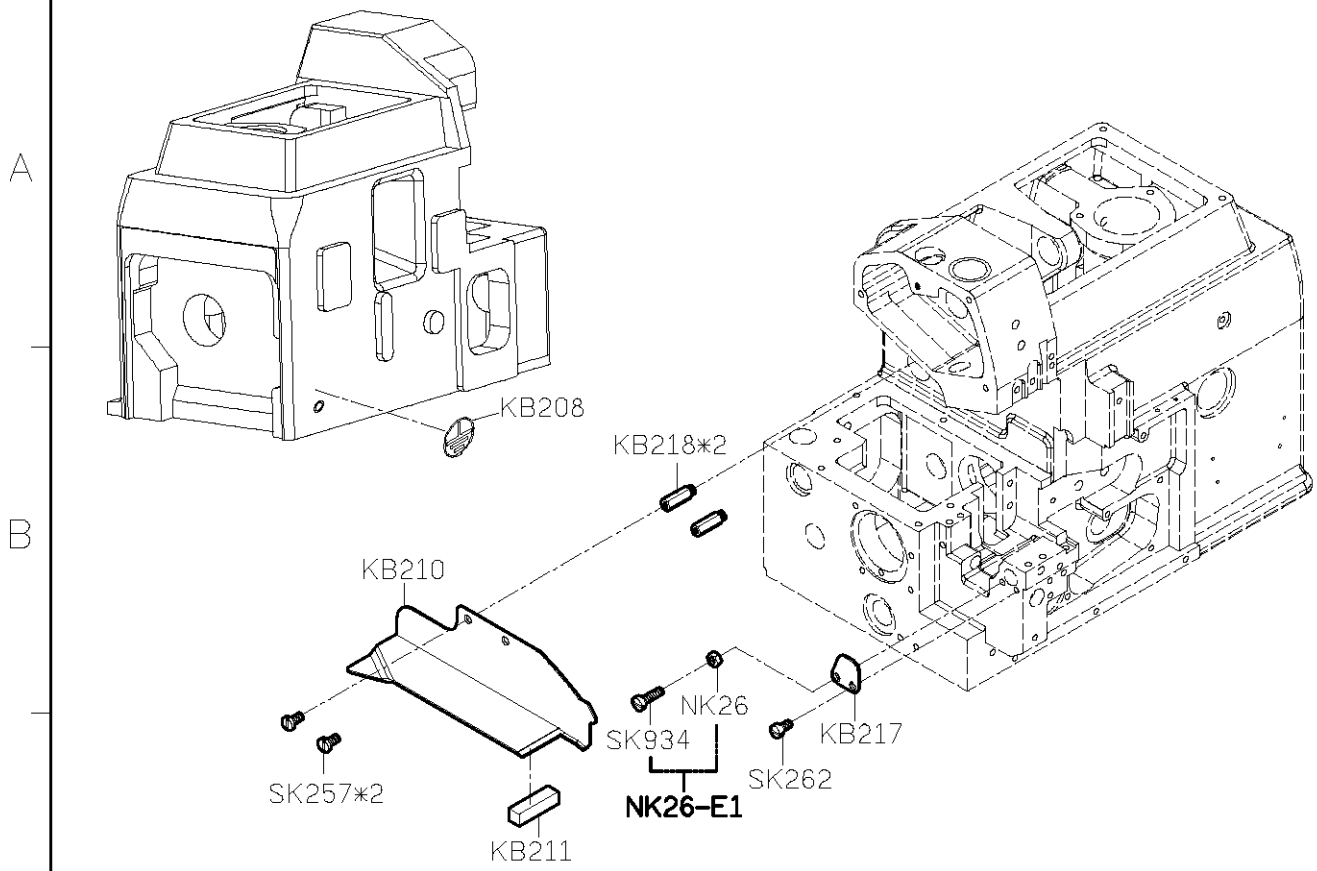
3

4

5



SIRUBA PARTS LIST	Series	Parts Group	Subclass / Remark	Page
	700K/700KD	KB		1/1
	988/988D			Date
				2014/08/23

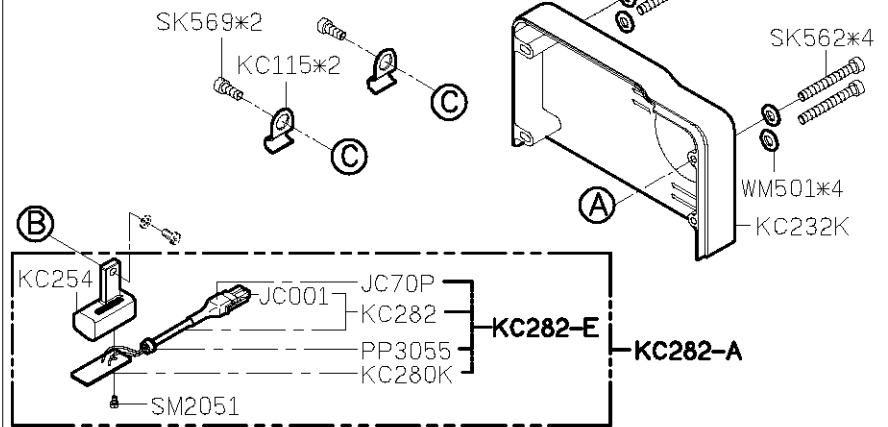
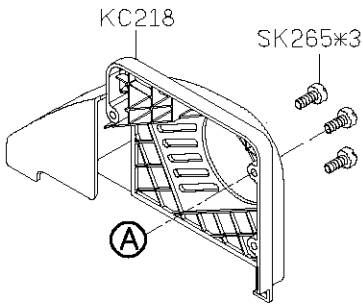


1 2 3 4 5

**FOR 700K/988**

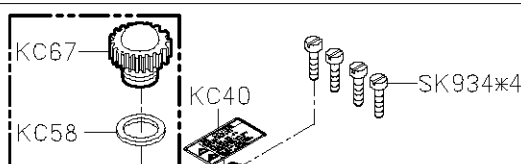
**FOR 700KD/988D**

A



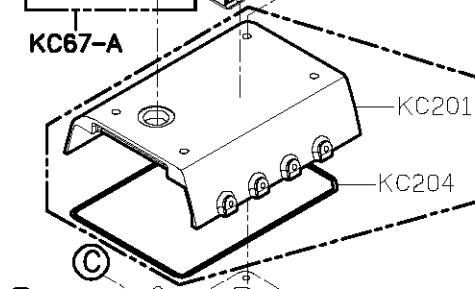
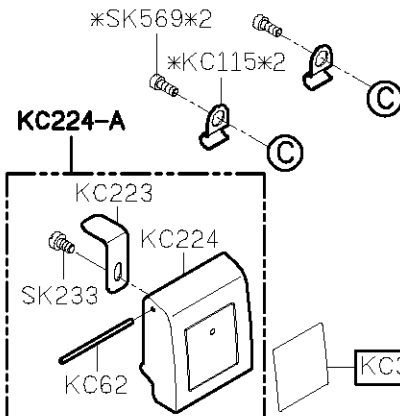
B

MODEL	700K	700KD	988	988D
PARTS NO	KC38J	KC38J	KC38C	KC38DC
	SK262	SK265	SK265	SK265



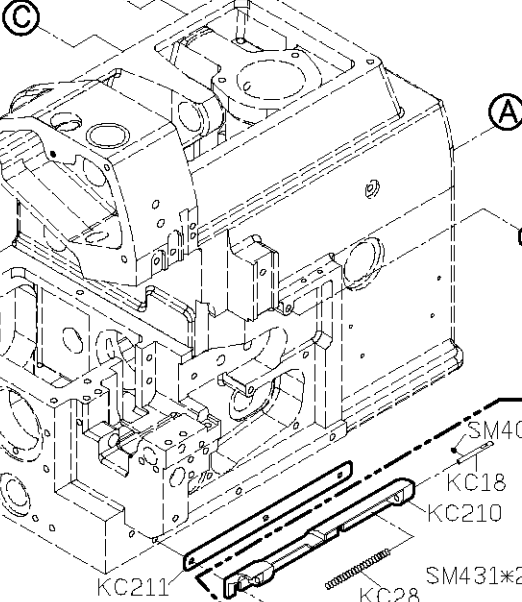
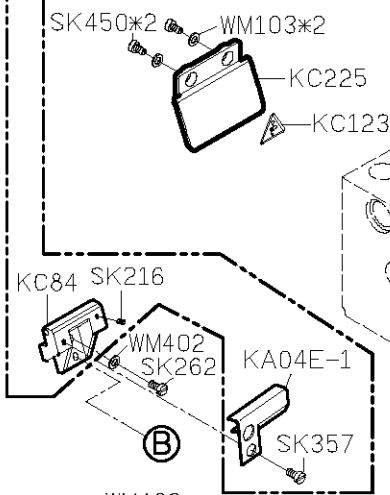
MODEL	#3/#4	#5/#6
PARTS NO	KC209	KC219
	KC206-4	KC206-5

C

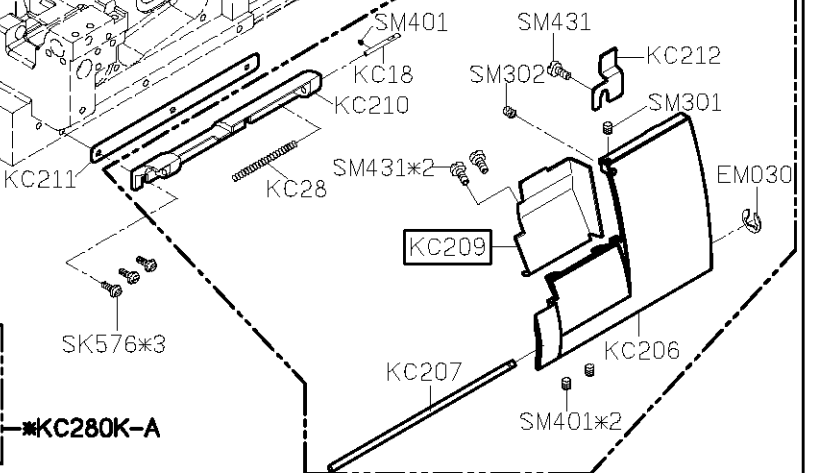
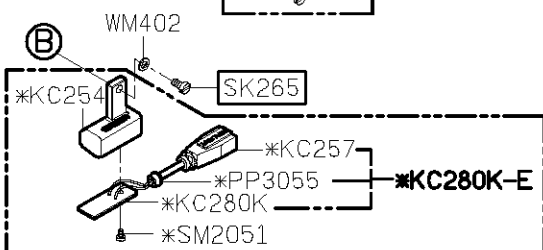


- +E = KC201-3
  - +F = KC201-4
  - +G = KC201-5
  - +H = KC201-6
  - +I = KC201-A
  - +J = KC201-A1
- KG SERIES

D



E



1

2

3

4

5

<b>SIRUBA</b> <b>PARTS LIST</b>	<b>Series</b>		<b>Parts Group</b>	<b>Subclass / Remark</b>	<b>Page</b>
	<b>700K/700KD</b> <b>988/988D</b>		<b>KD</b>	<input type="checkbox"/> FOR H MOTOR <input type="checkbox"/> FOR Y MOTOR	<b>1/2</b>
					<b>Date</b>
					<b>2015/03/10</b>

MODEL	#3/#4	#5/#6
PARTS NO	KD204	KD217
	SM603B	KD220
	SK241*3	SK539*2 SK872*1

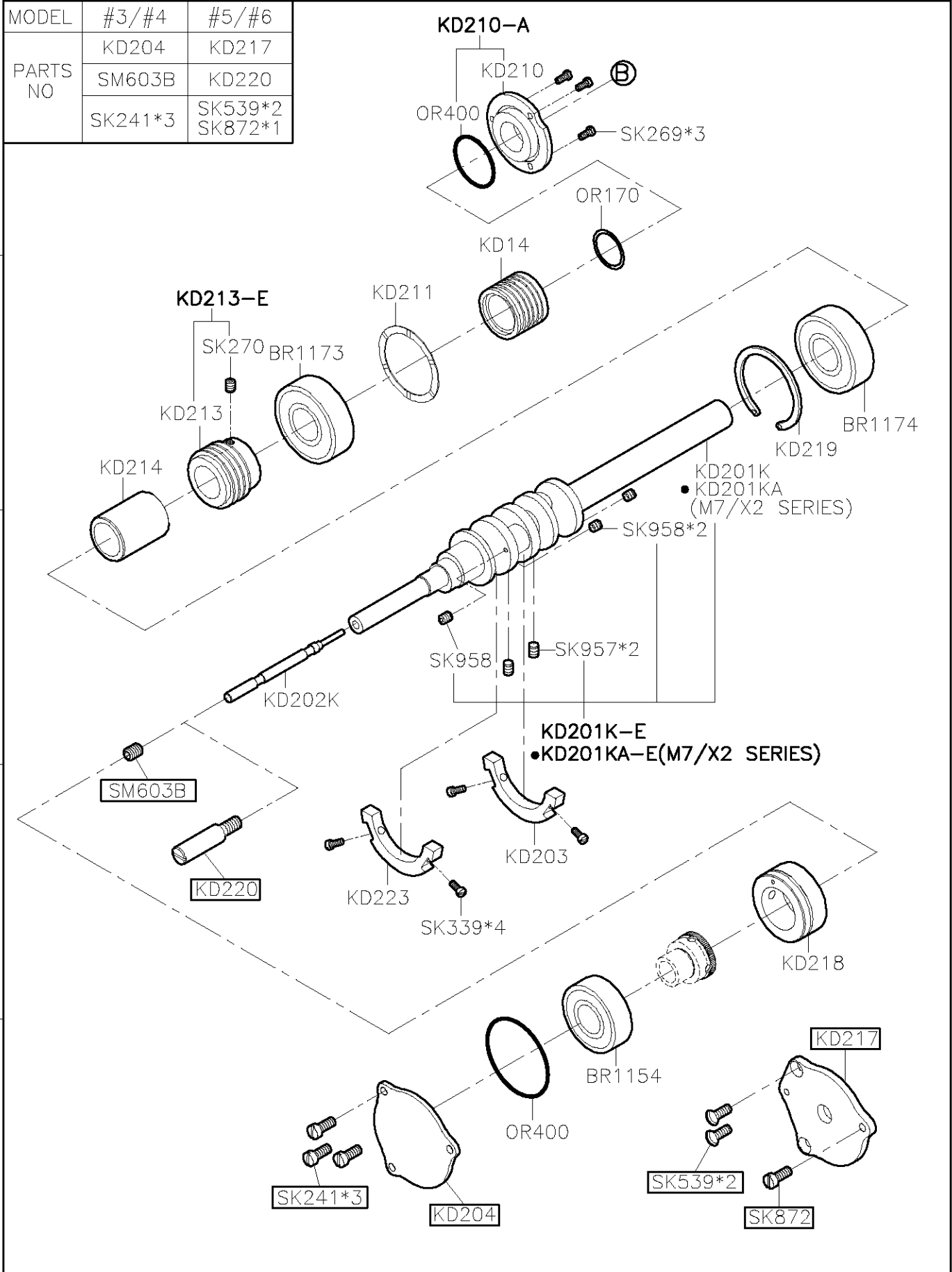
A

B

C

D

E



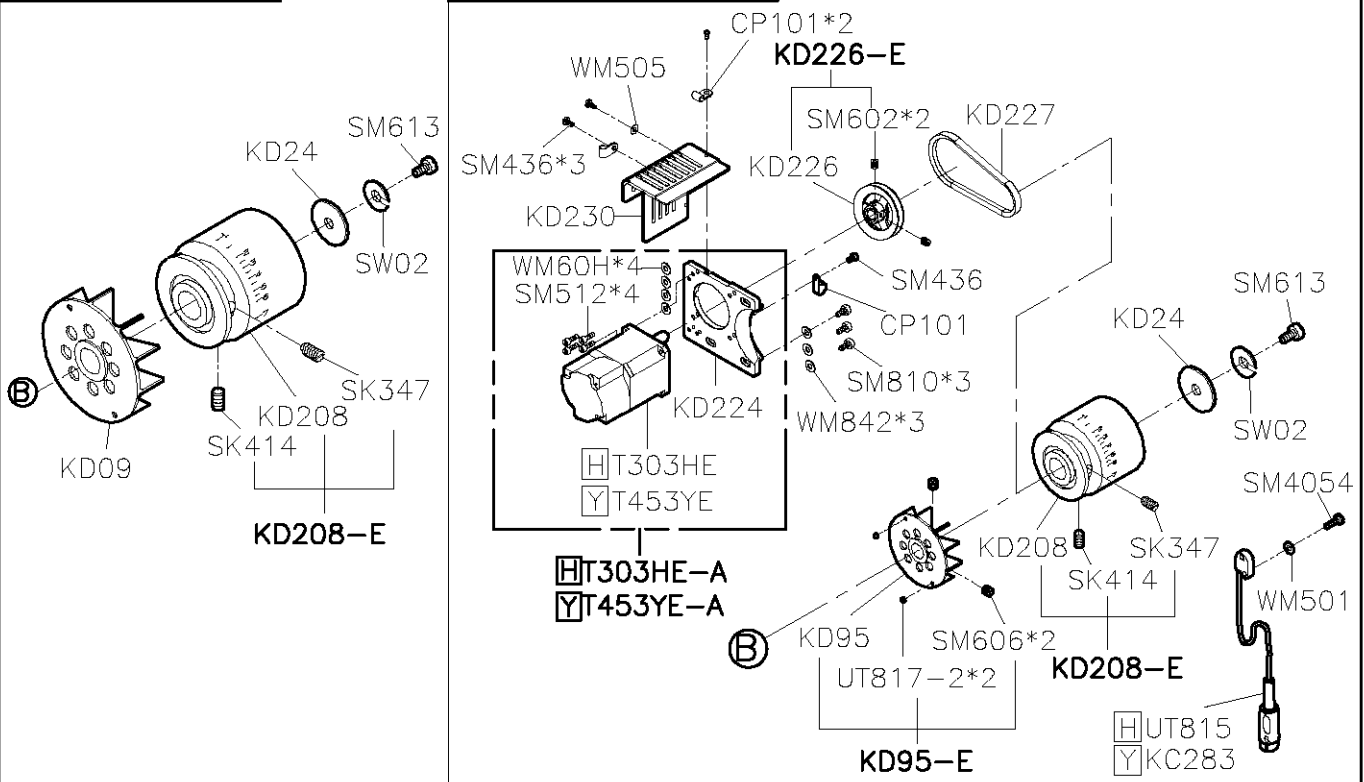
<b>SIRUBA</b> <b>PARTS LIST</b>	<b>Series</b>	<b>Parts Group</b>	<b>Subclass / Remark</b>	<b>Page</b>
	<b>700K/700KD</b>	<b>KD</b>	<b>FOR H MOTOR</b>	<b>2/2</b>
	<b>988/988D</b>		<b>FOR Y MOTOR</b>	<b>Date</b>
				<b>2015/03/31</b>

**FOR 700K/988**

**FOR 700KD/988D**

A

B

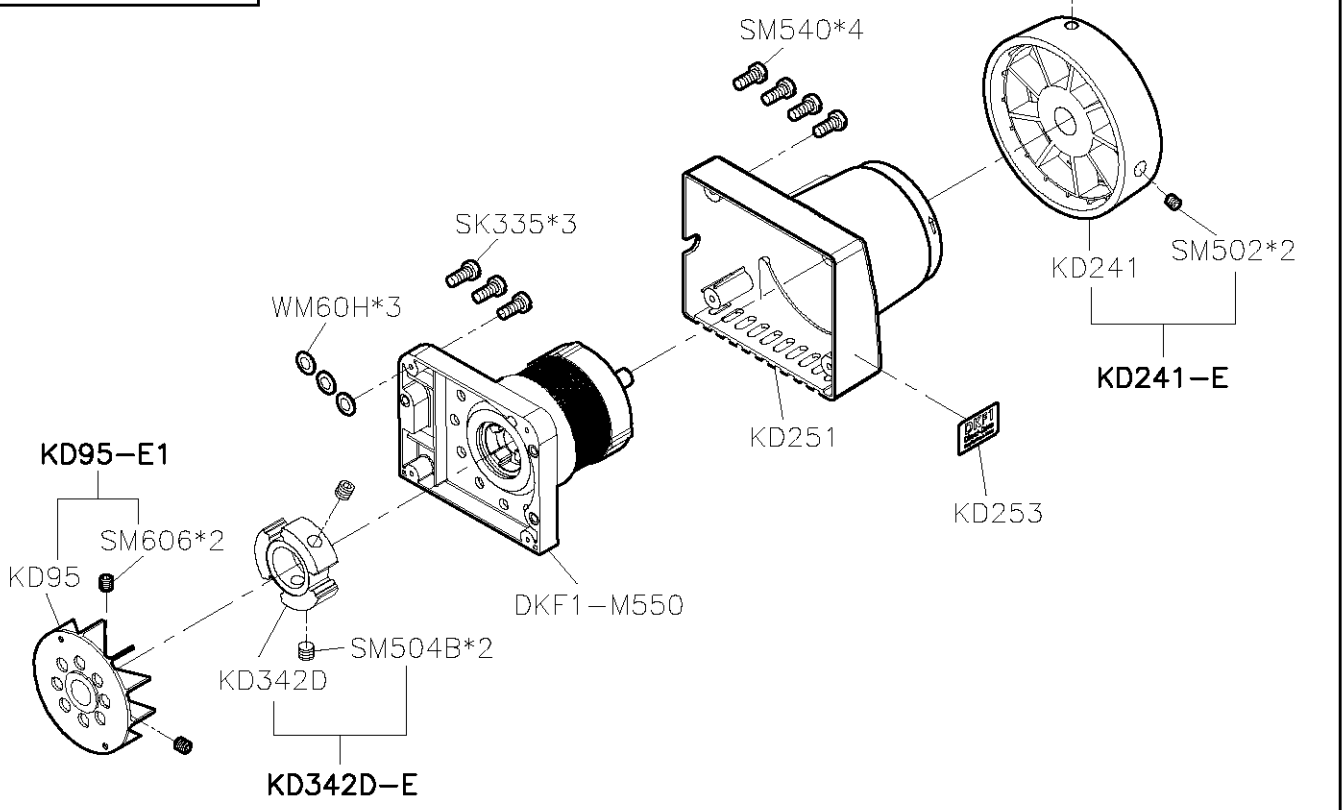


C

D

E

**FOR DKF1**





<b>SIRUBA</b> <b>PARTS LIST</b>	<b>Series</b>	<b>Parts Group</b>	<b>Subclass / Remark</b>	<b>Page</b>
	<b>700K/700KD</b>	<b>KF</b>		<b>1/1</b>
	<b>988/988D</b>			<b>Date</b>
				<b>2015/04/22</b>

MODEL	一般機型	X2-56 M7
PARTS NO	KF96	KF224
	KF96-C2	KF224-C

A

B

C

D

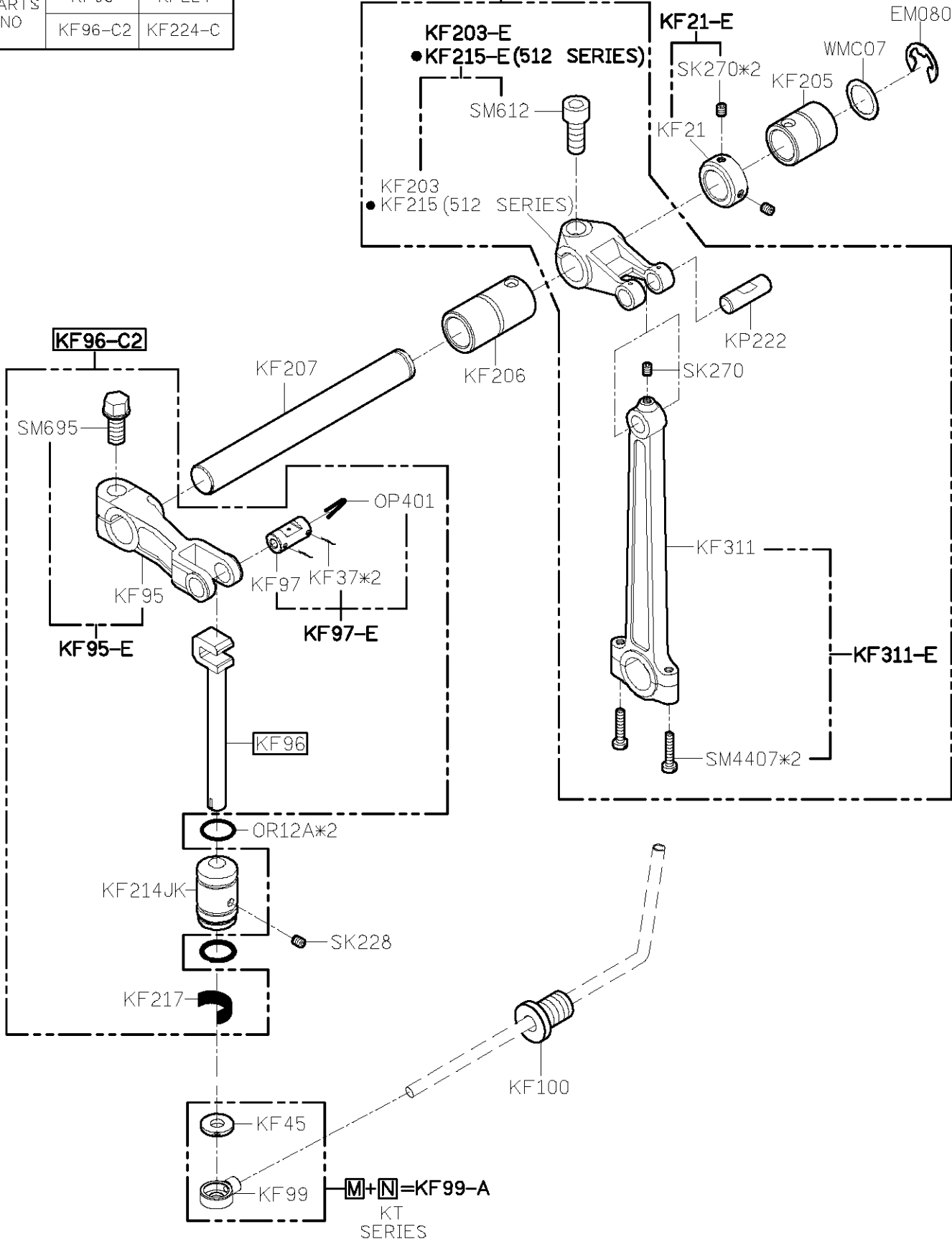
E

**KF311-C**  
●KF311-C1(512 SERIES)

**KF203-E**  
●KF215-E(512 SERIES)

**KF21-E**

KF203  
●KF215(512 SERIES)



1                      2                      3                      4                      5

**SIRUBA**  
**PARTS LIST**

**Series**  
**700K/700KD**  
**988/988D**

**Parts Group**  
**KG**

**Subclass / Remark**

**Page**

1/1

**Date**

2015/02/02

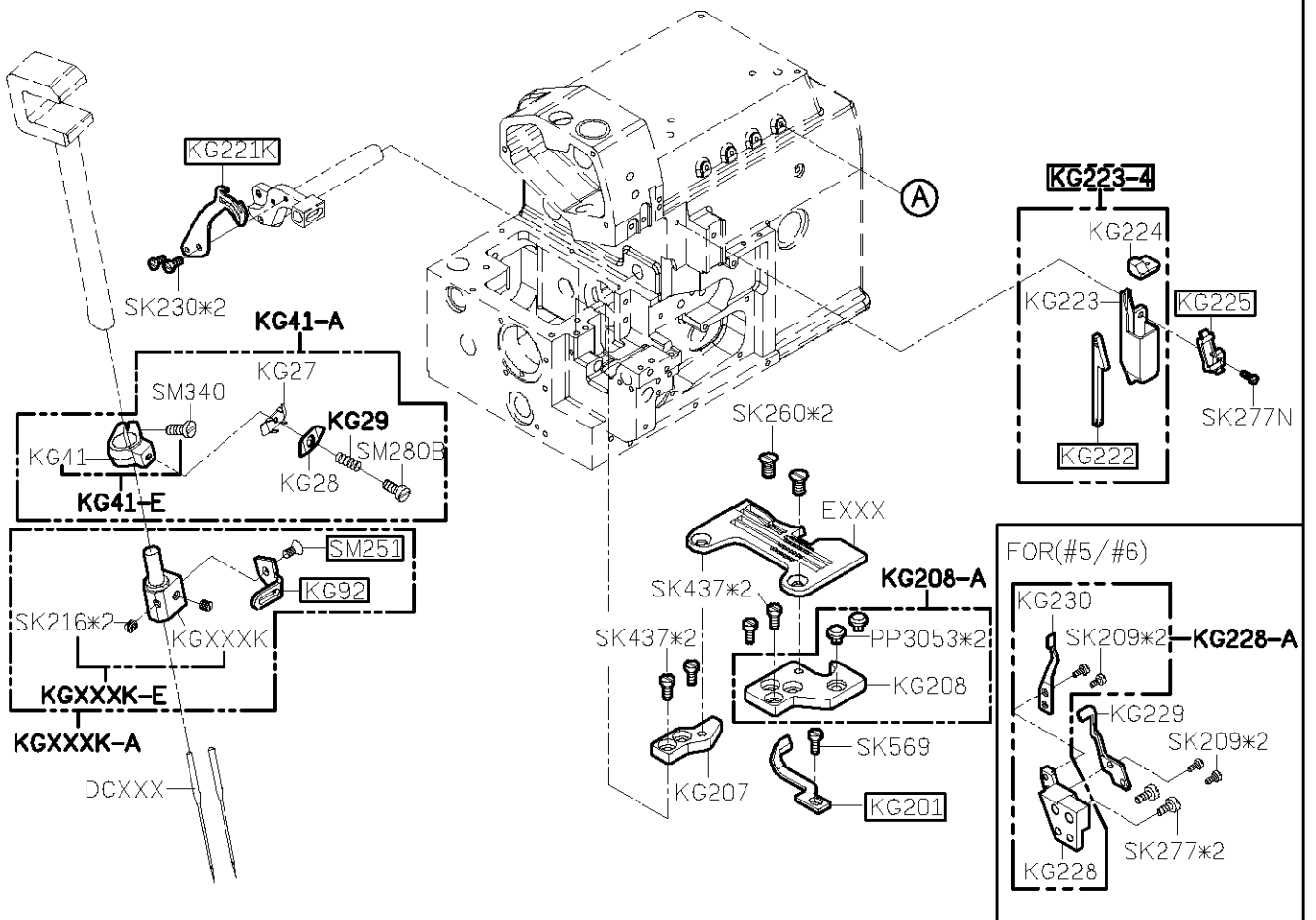
MODEL	#3	#4	#5	#6	FOR(#3/#4)
PARTS NO	KG262	KG211K	KG262	KG211K	
	KG248	KG213K	KG239	KG246	
	KG250K	KG221K	KG243K	KG251K	
	KG222	KG222	KG245	KG245	
	KG225	KG225	KG261	KG261	
	KG201	KG201	KG244	KG244	
	KG93	KG92	KG94	KG94	
	SK216	SK216	SK216*2	SK216*2	
	SK250N	SK250N	SK250N*2	SK250N*2	
	SK437N	SK437N	SK569	SK569	
	SM251	SM251	SM250	SM250	
	KG212-3	KG212-4	KG241-5	KG241-6	
KG223-4	KG223-4	KG223-5	KG223-5		

A

B

C

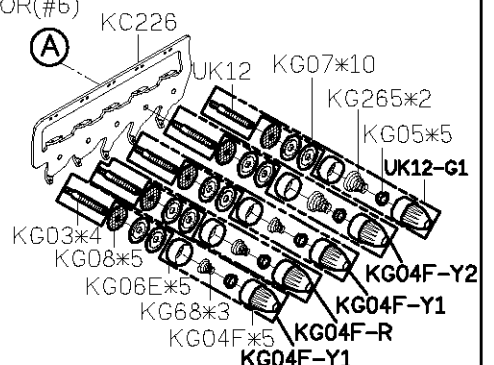
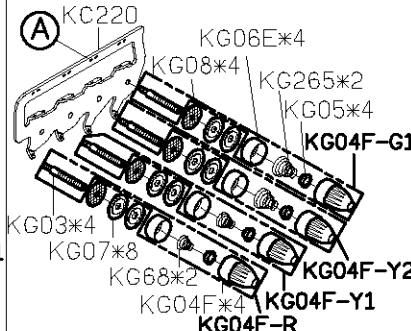
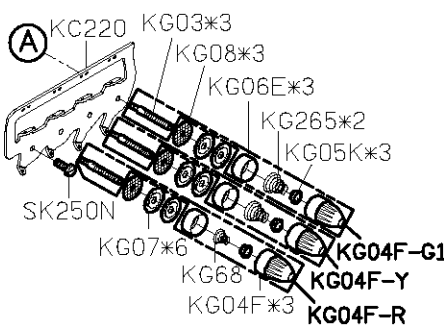
D



FOR(#3)

FOR(#4/#5)

FOR(#6)



1

2

3

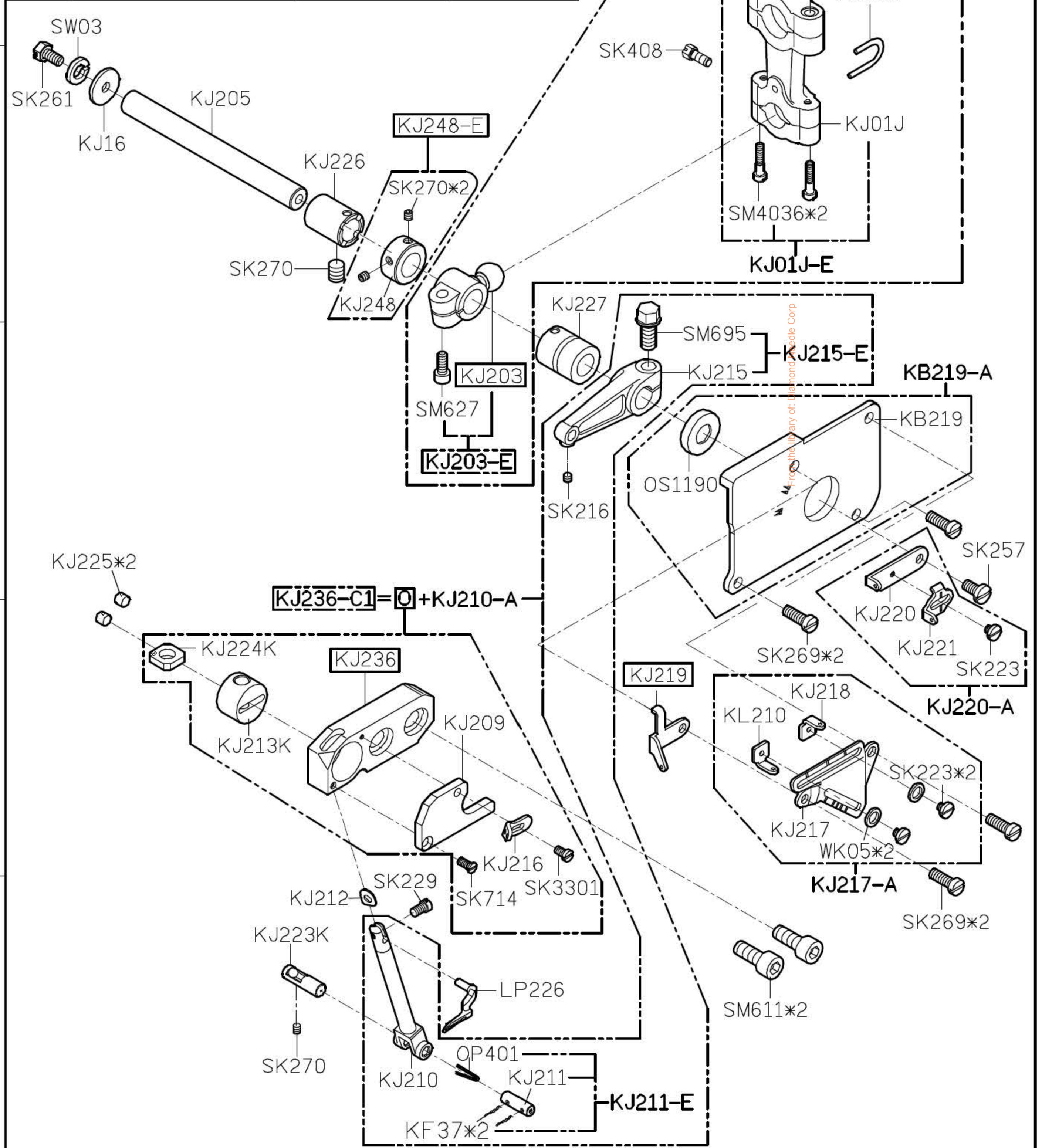
4

5



SIRUBA PARTS LIST	Series			Parts Group	Subclass / Remark	Page
	700K/700KD 988/988D			KJ		1/1
						Date
						2016/05/05

MODEL	#3/#5	#4/#6	#4 M7/M2-28	#5 X2
PARTS NO	KJ247-E	KJ246-E	KJ248-E	KJ246-E+KJ234
	KJ206	KJ203	KJ203	KJ206
	KJ206-E	KJ203-E	KJ203-E	KJ206-E
	KJ206-C	KJ203-C	KJ203-C	KJ206-C
	KJ236	KJ208	KJ228	KJ236
	KJ236-C1	KJ208-C1	KJ228-C1	KJ236-C1
	KJ219		KJ238	KJ238





<b>SIRUBA</b> <b>PARTS LIST</b>	<b>Series</b>			<b>Parts Group</b>	<b>Subclass / Remark</b>	<b>Page</b>
	700K/700KD 988/988D			<b>KL</b>		1/1
						Date
						2016/05/05

MODEL	#3/#4	#5/#6	M7/X2 SERIES
PARTS NO	KL202		KL202A
	KL211-A		KL211-A1
	KL205	KL209	
			SK270
	KL205-E	KL209-E	
	KL205-C	KL209-C	

KL KL KM  
SERIES SERIES SERIES  
**P+R+S=KL209-C**

KL KL  
SERIES SERIES  
**P+Q=KL205-C**

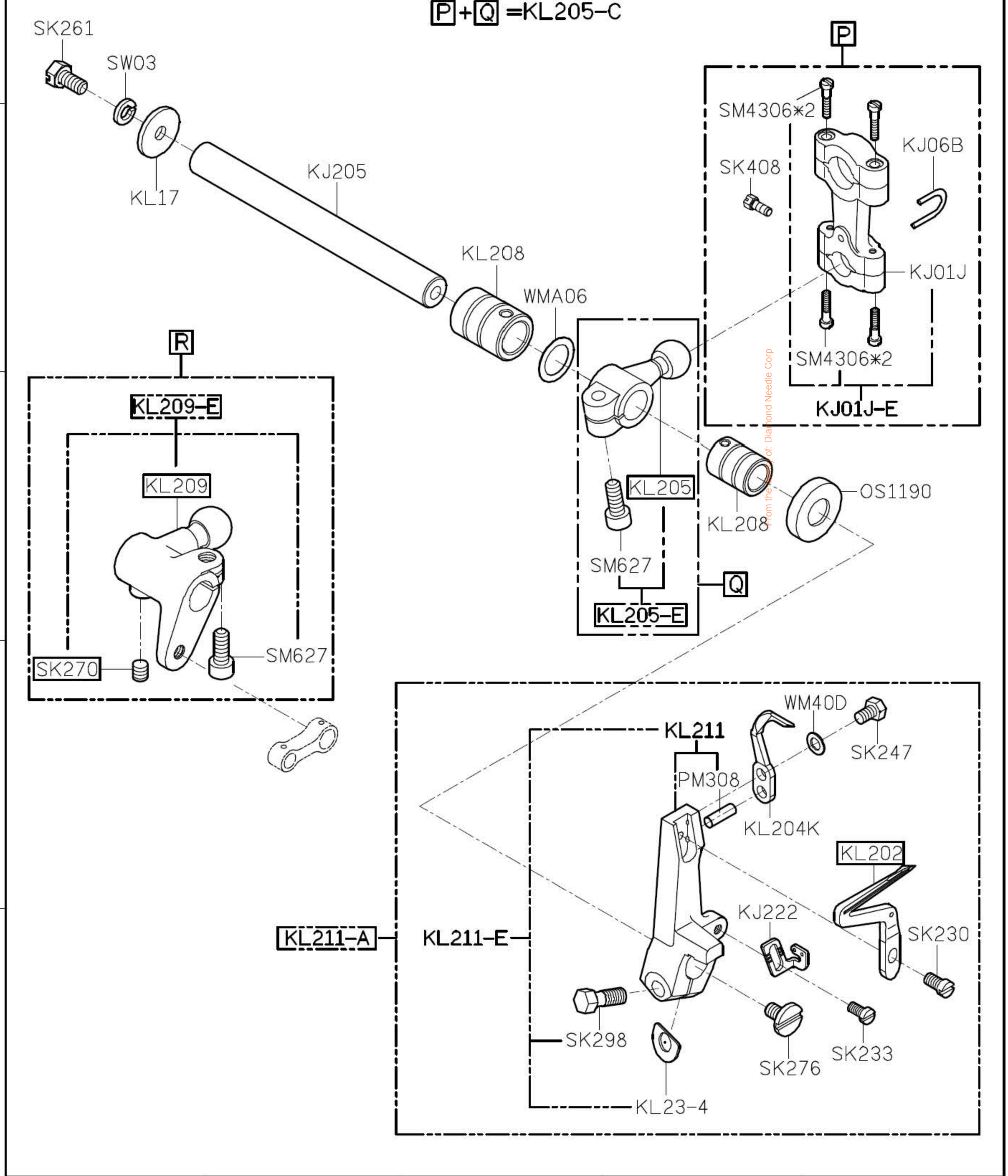
A

B

C

D

E





SIRUBA PARTS LIST	Series	Parts Group	Subclass / Remark	Page
	700K/700KD	KM		1/1
	988/988D			Date
				2014/04/21

A

 $\boxed{S} + \boxed{R} + \boxed{P} = \text{KL209-C}$ 

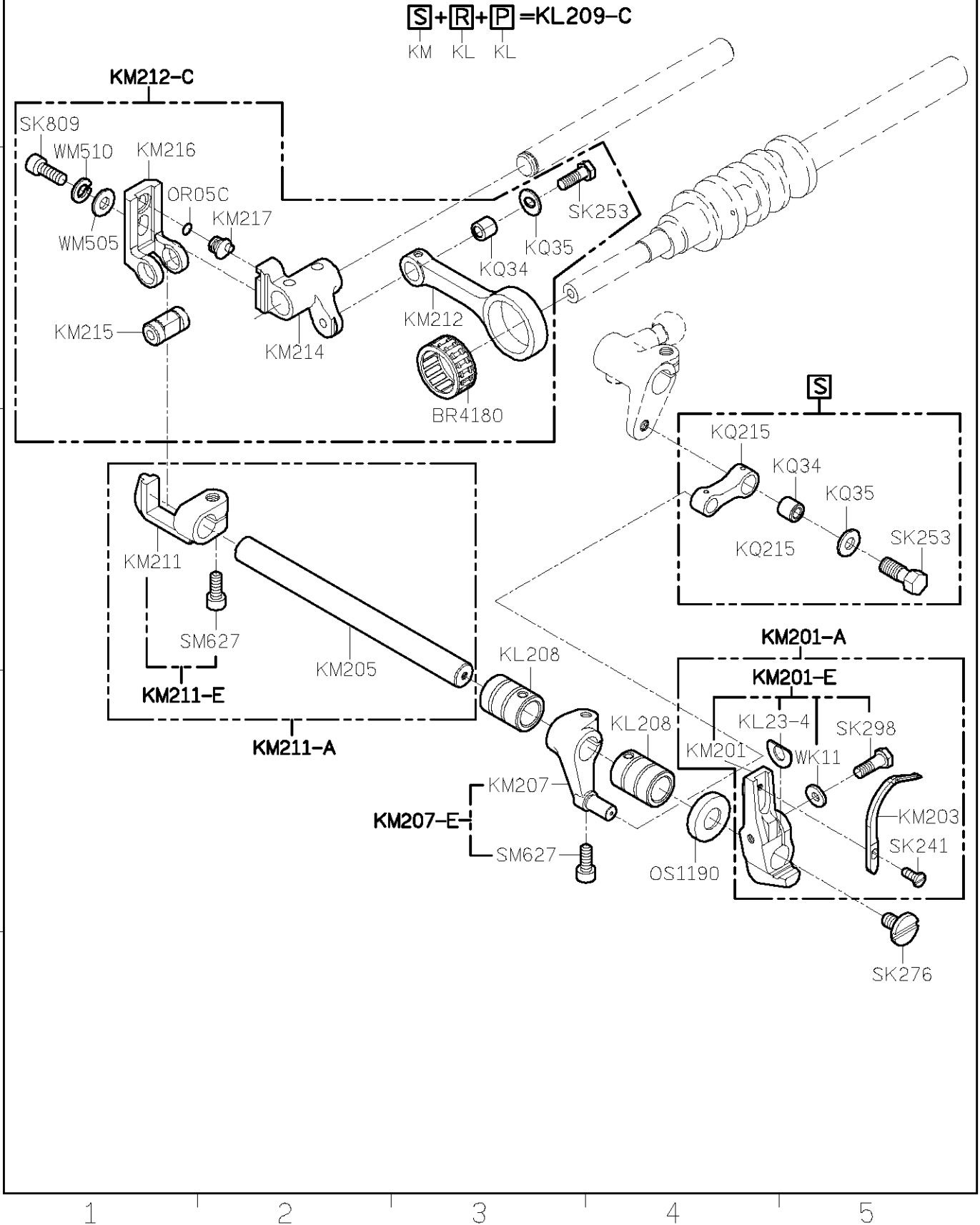
KM KL KL

B

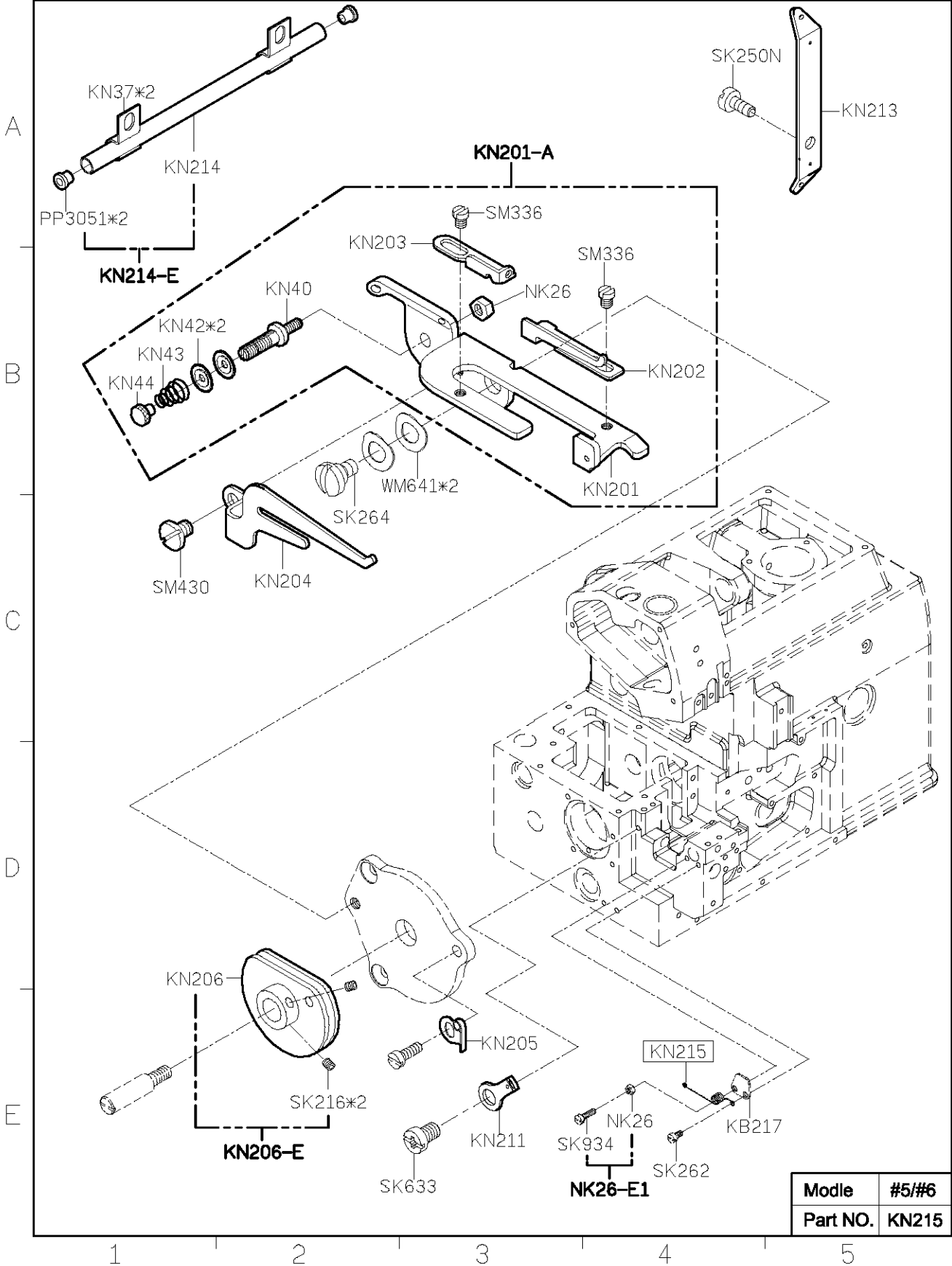
C

D

E



<b>SIRUBA</b> <b>PARTS LIST</b>	<b>Series</b>	<b>Parts Group</b>	<b>Subclass / Remark</b>	<b>Page</b>
	<b>700K/700KD</b>	<b>KN</b>		<b>1/1</b>
	<b>988/988D</b>			<b>Date</b>
				<b>2012/09/18</b>



<b>Modle</b>	<b>#5/#6</b>
<b>Part NO.</b>	<b>KN215</b>

1

2

3

4

5

SIRUBA PARTS LIST	Series	Parts Group	Subclass / Remark	Page
	700K/700KD	KP		1/1
	988/988D			Date
				2014/01/15

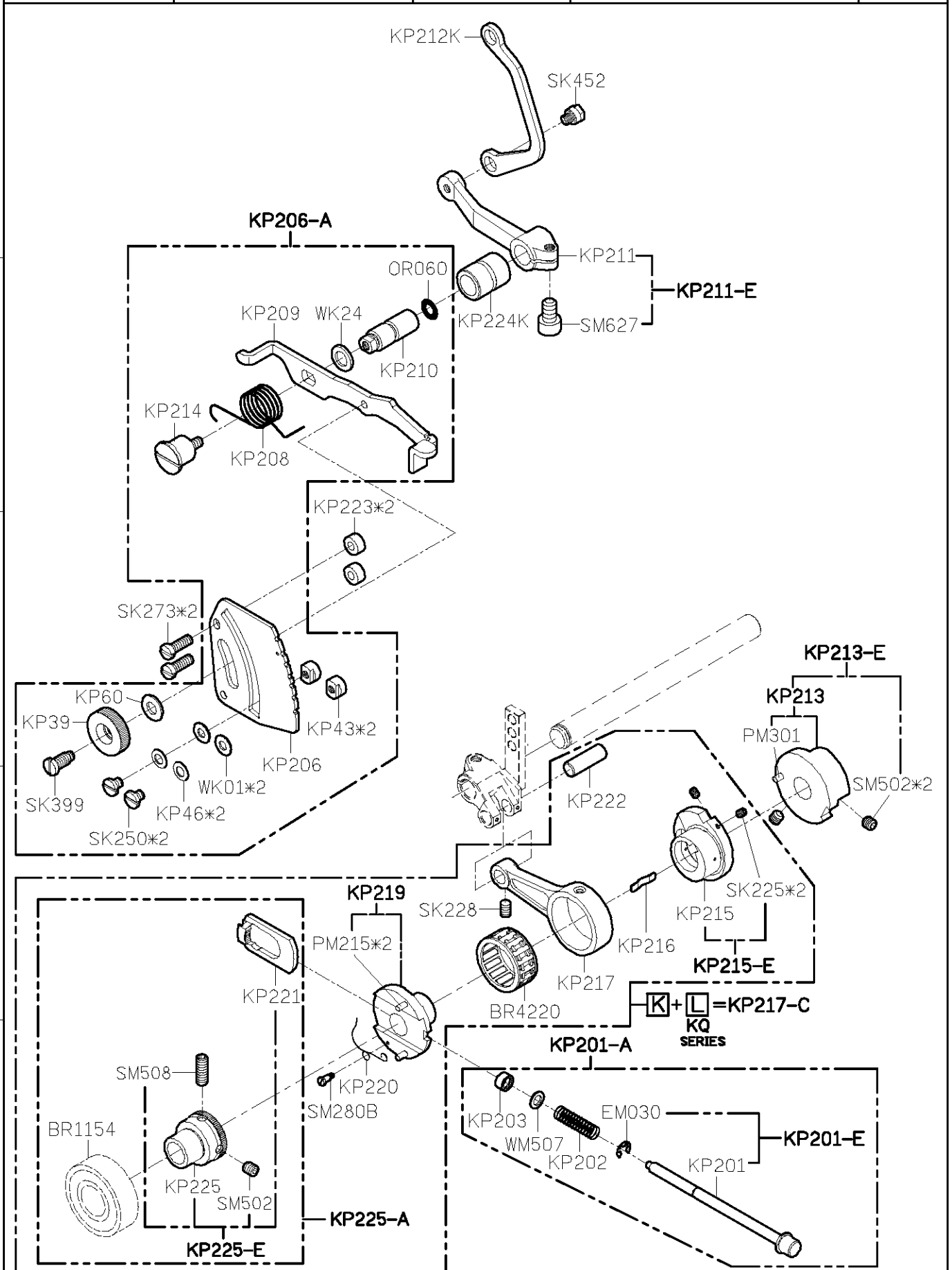
A

B

C

D

E



1

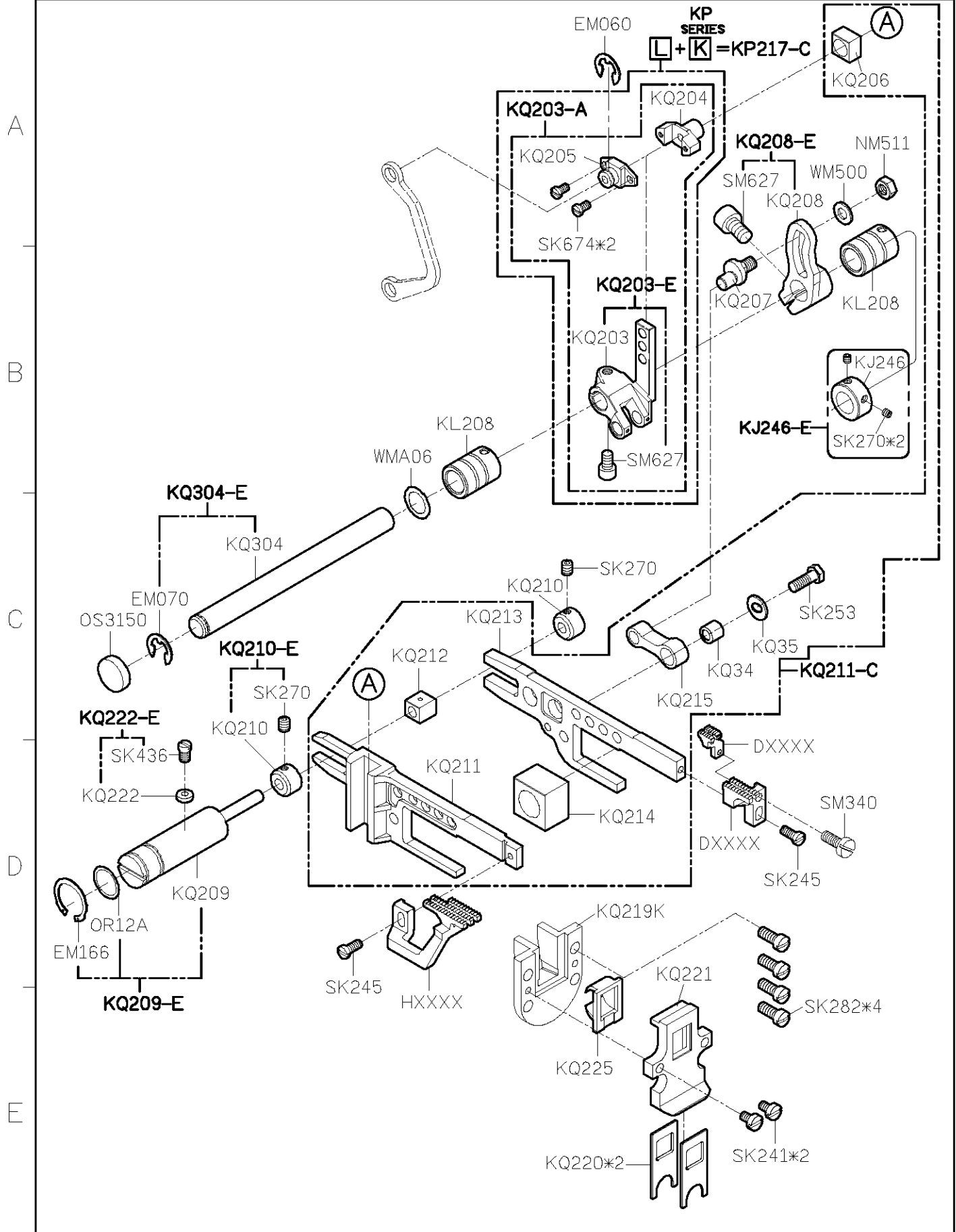
2

3

4

5

<b>SIRUBA</b> <b>PARTS LIST</b>	<b>Series</b>	<b>Parts Group</b>	<b>Subclass / Remark</b>	<b>Page</b>
	<b>700K/700KD</b>	<b>KQ</b>		<b>1/1</b>
	<b>988/988D</b>			<b>Date</b>
				<b>2014/09/04</b>





**SIRUBA**  
**PARTS LIST**

**Series**  
**700K/700KD**  
**988/988D**

**Parts Group**  
**KR**

**Subclass / Remark**

**Page**

1/1

**Date**

2014/06/26

MODEL	#3/#4	#5/#6	#5 X2
	KR202	KR218	KR218
	KR202-E	KR218-E	KR218-E
	KR311-C	KR311-C1	KR311-C1
PARTS NO	KR206	KR221	KR221
	KR206-A	KR221-A	KR221-A1
	KR209	KR219	KR223
	KR209-A	KR219-A	KR223-A

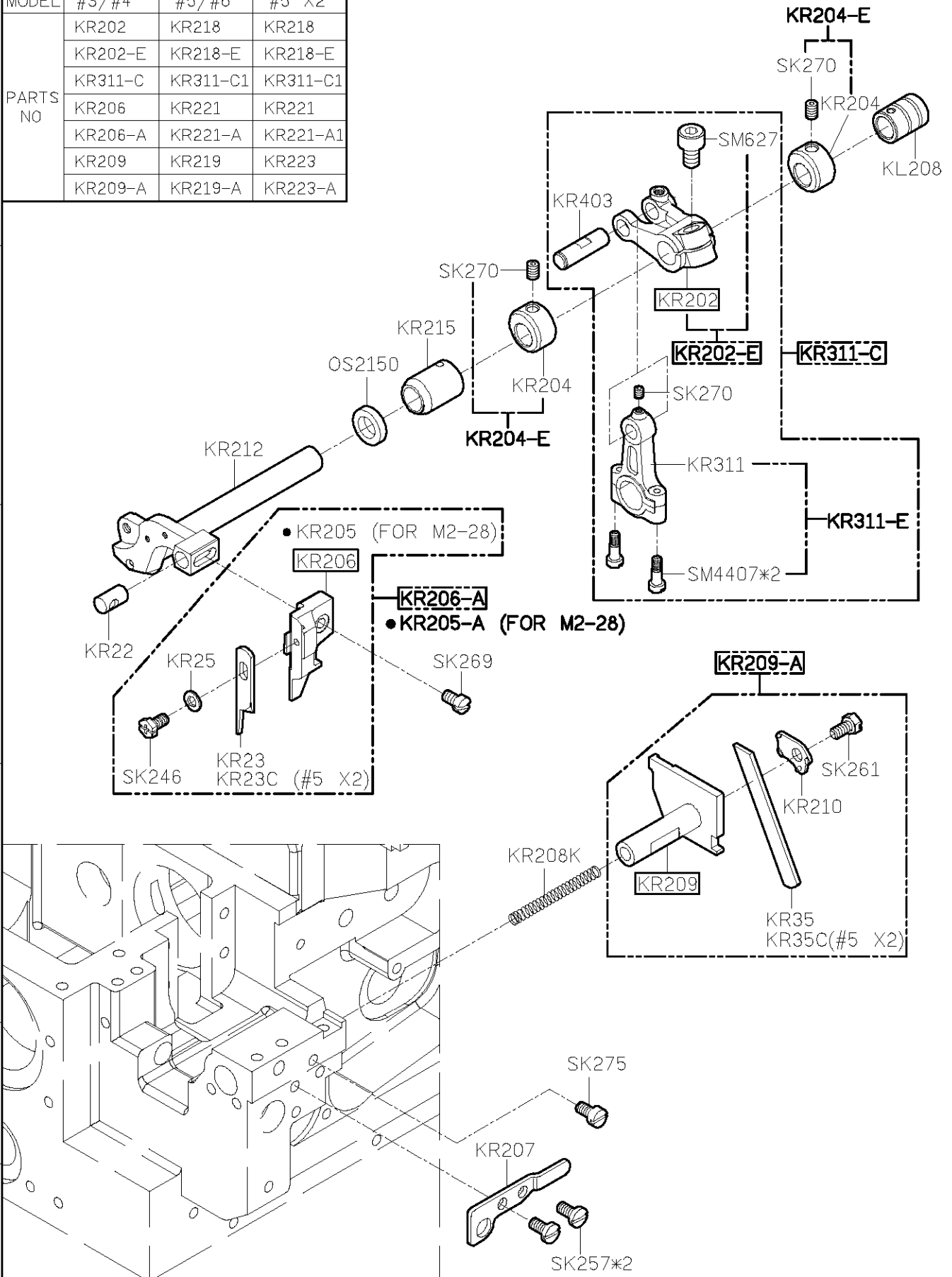
A

B

C

D

E



1

2

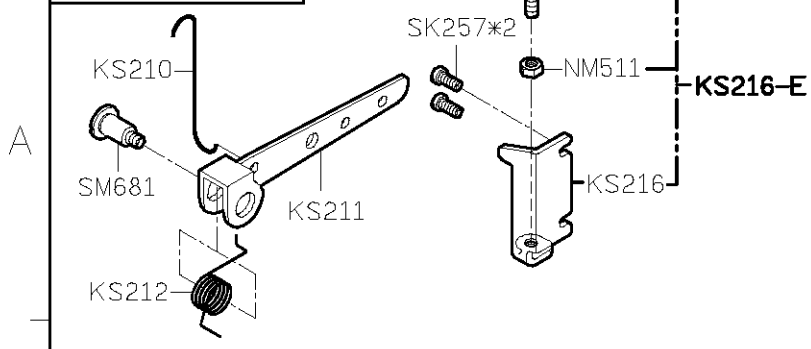
3

4

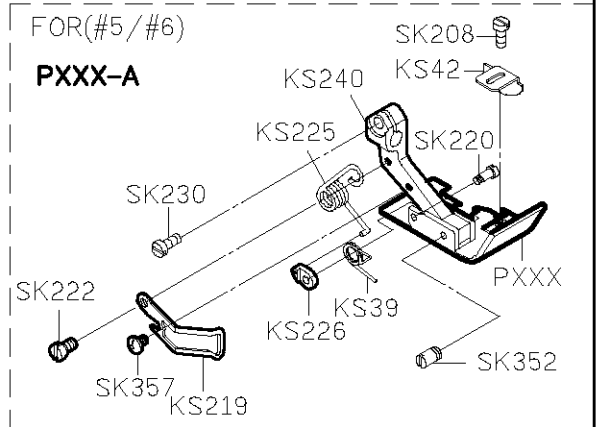
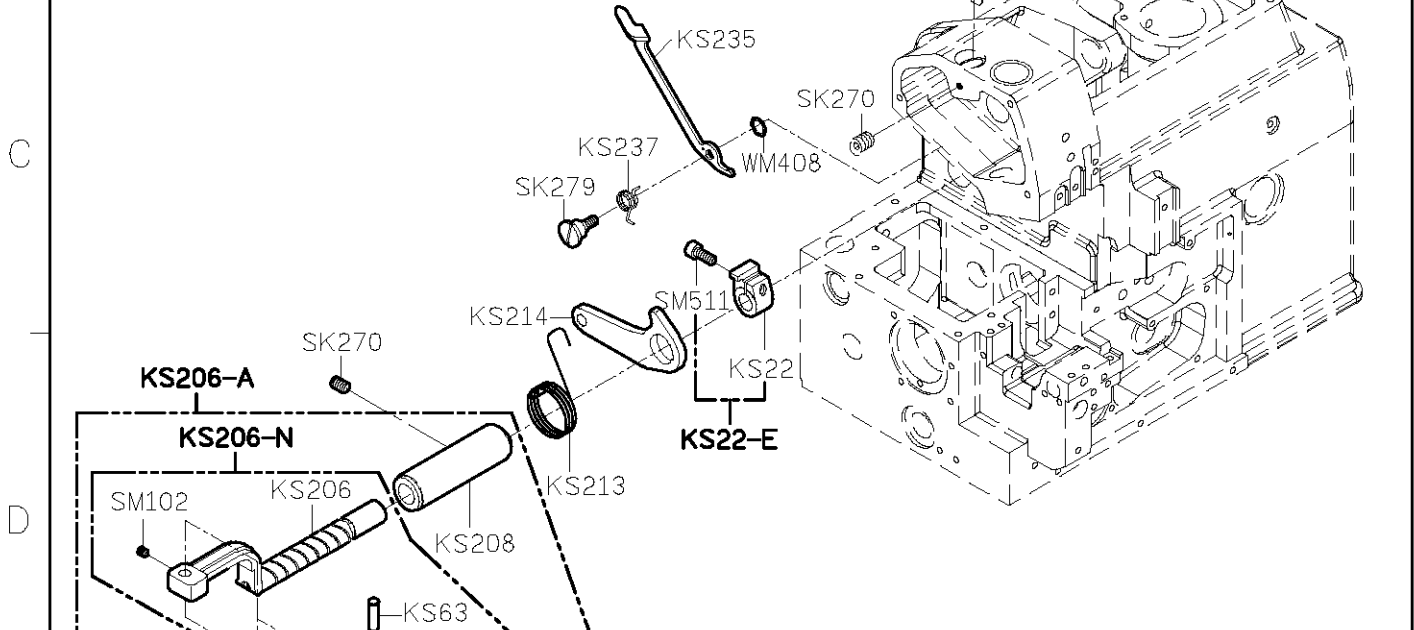
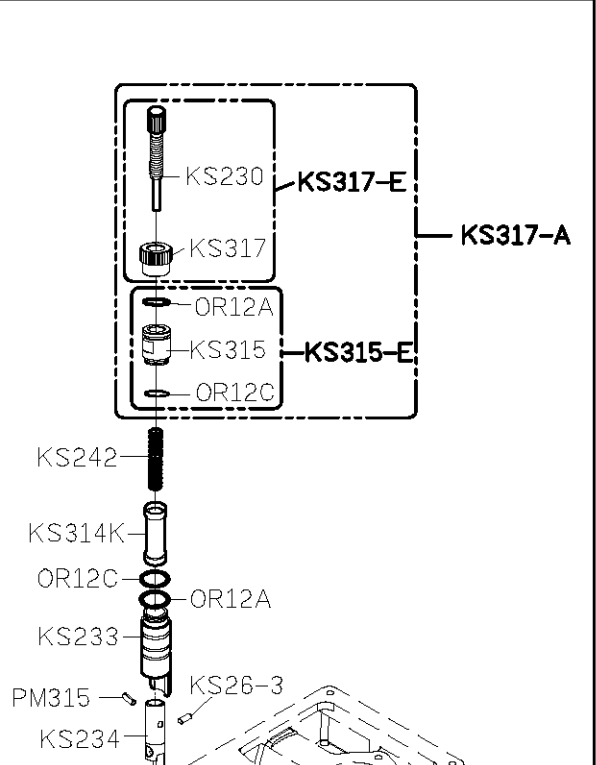
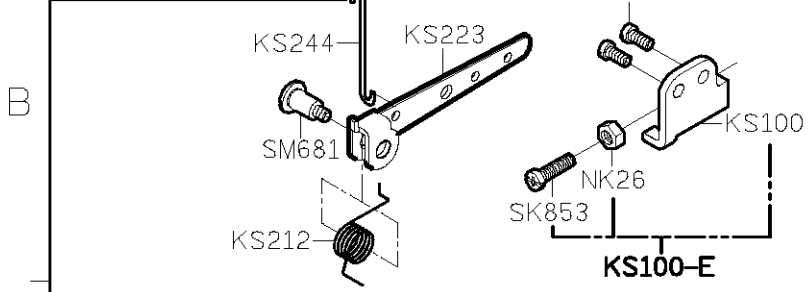
5

<b>SIRUBA</b> <b>PARTS LIST</b>	<b>Series</b>	<b>Parts Group</b>	<b>Subclass / Remark</b>	<b>Page</b>
	<b>700K/700KD</b>	<b>KS</b>		<b>1/1</b>
	<b>988/988D</b>			<b>Date</b>
				<b>2015/03/25</b>

FOR 700K/988

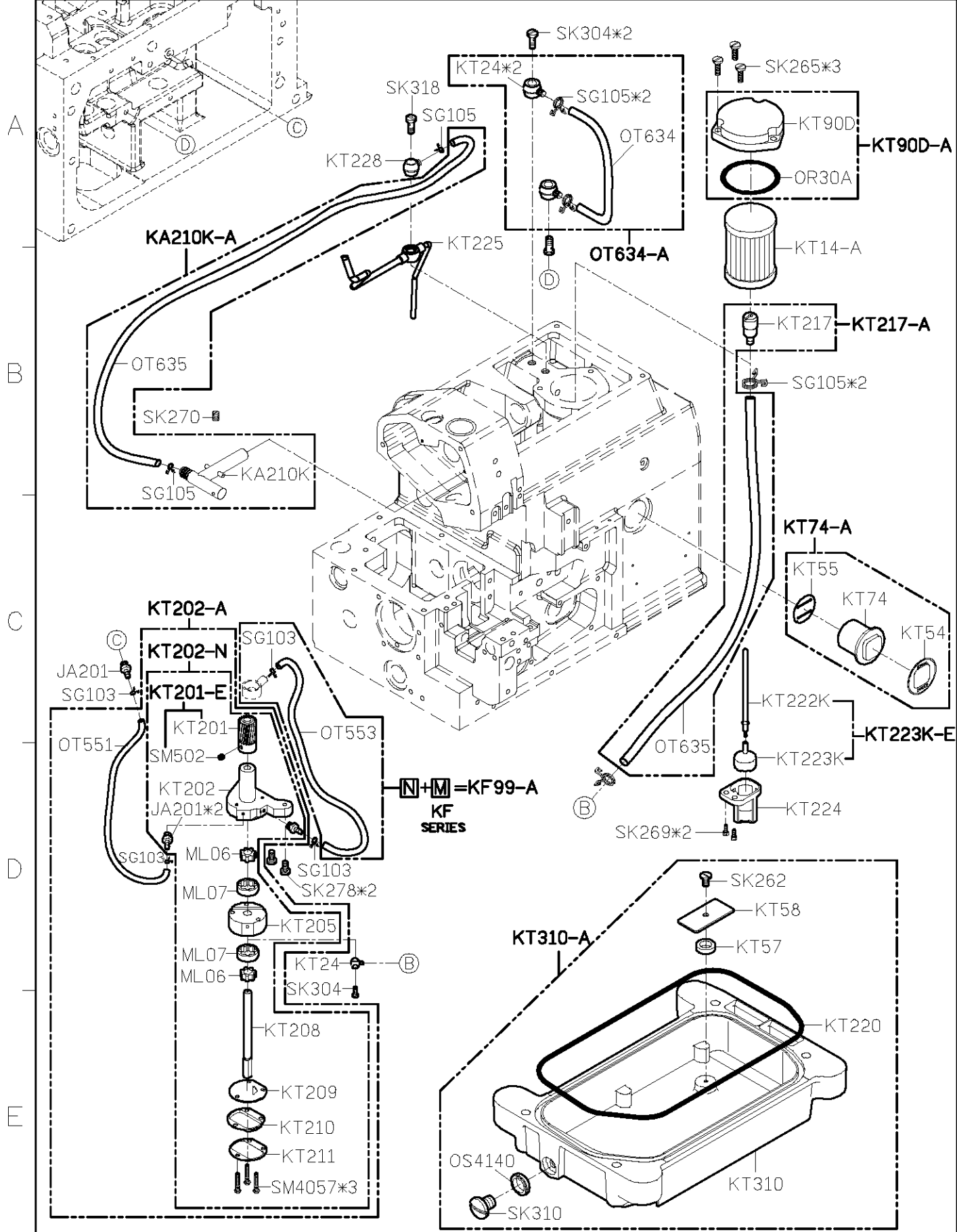


FOR 700KD/988D



1 2 3 4 5

<b>SIRUBA</b> <b>PARTS LIST</b>	<b>Series</b>	<b>Parts Group</b>	<b>Subclass / Remark</b>	<b>Page</b>
	<b>700K/700KD</b>	<b>KT</b>		<b>1/1</b>
	<b>988/988D</b>			<b>Date</b>
				<b>2014/12/10</b>



From the library of: Diamond Needle Corp

**SIRUBA**  
**PARTS LIST**

**Series**  
**700K/700KD**  
**988/988D**

**Parts Group**  
**KU**

**Subclass / Remark**

**Page**

1/1

**Date**

2015/11/18

MODEL	#3/#4	#5/#6
	KU40	KU39
	KU220-4	KU220-5
	KU207	KU209
	KU206	KU211
	KU201-4	KU201-5
	SK277	SK437

**KU60-A**  
**(FOR 505F1-04)**

A

B

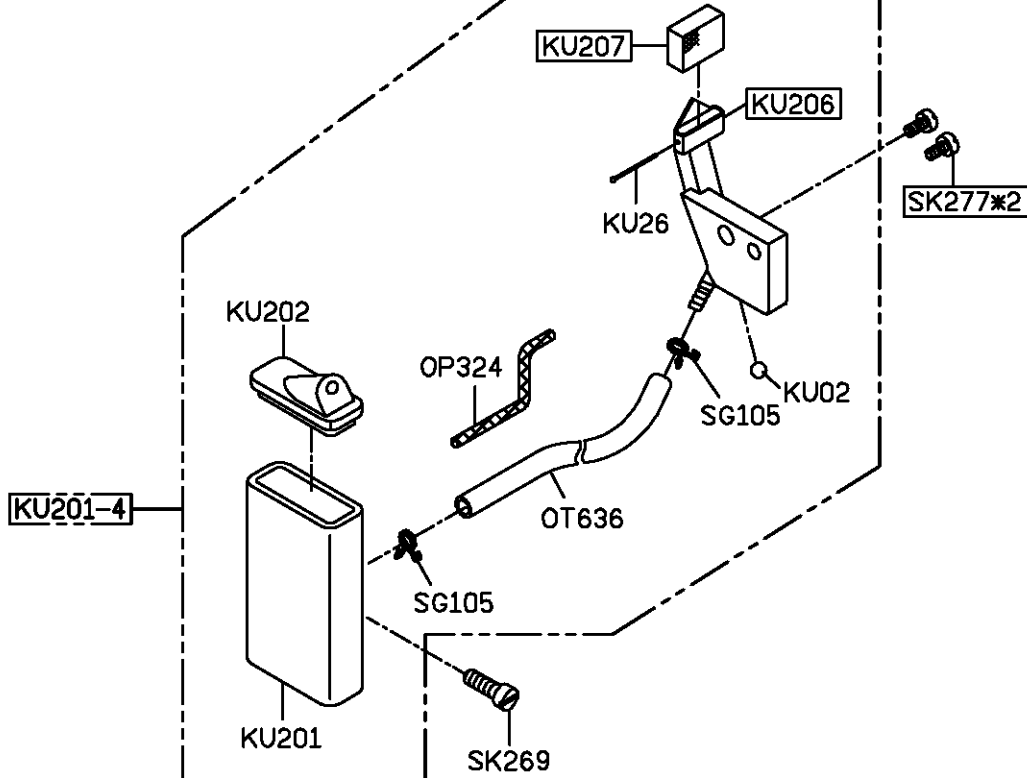
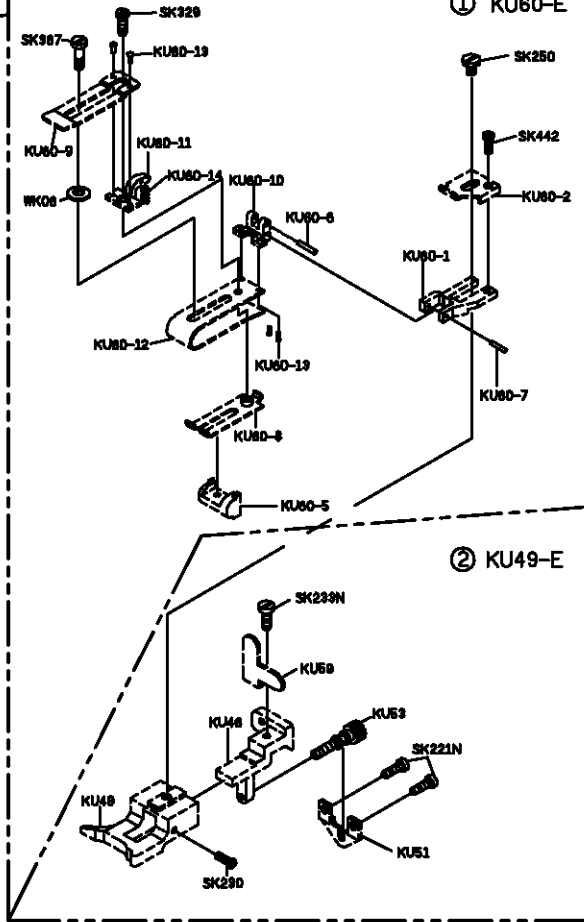
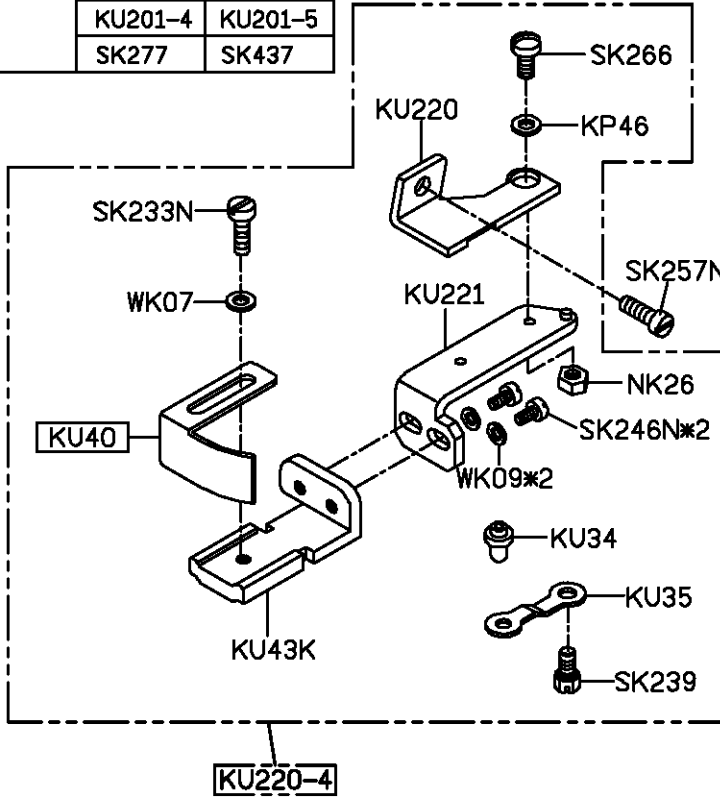
C

D

E

① KU60-E

② KU49-E



1

2

3

4

5



KW40E-3

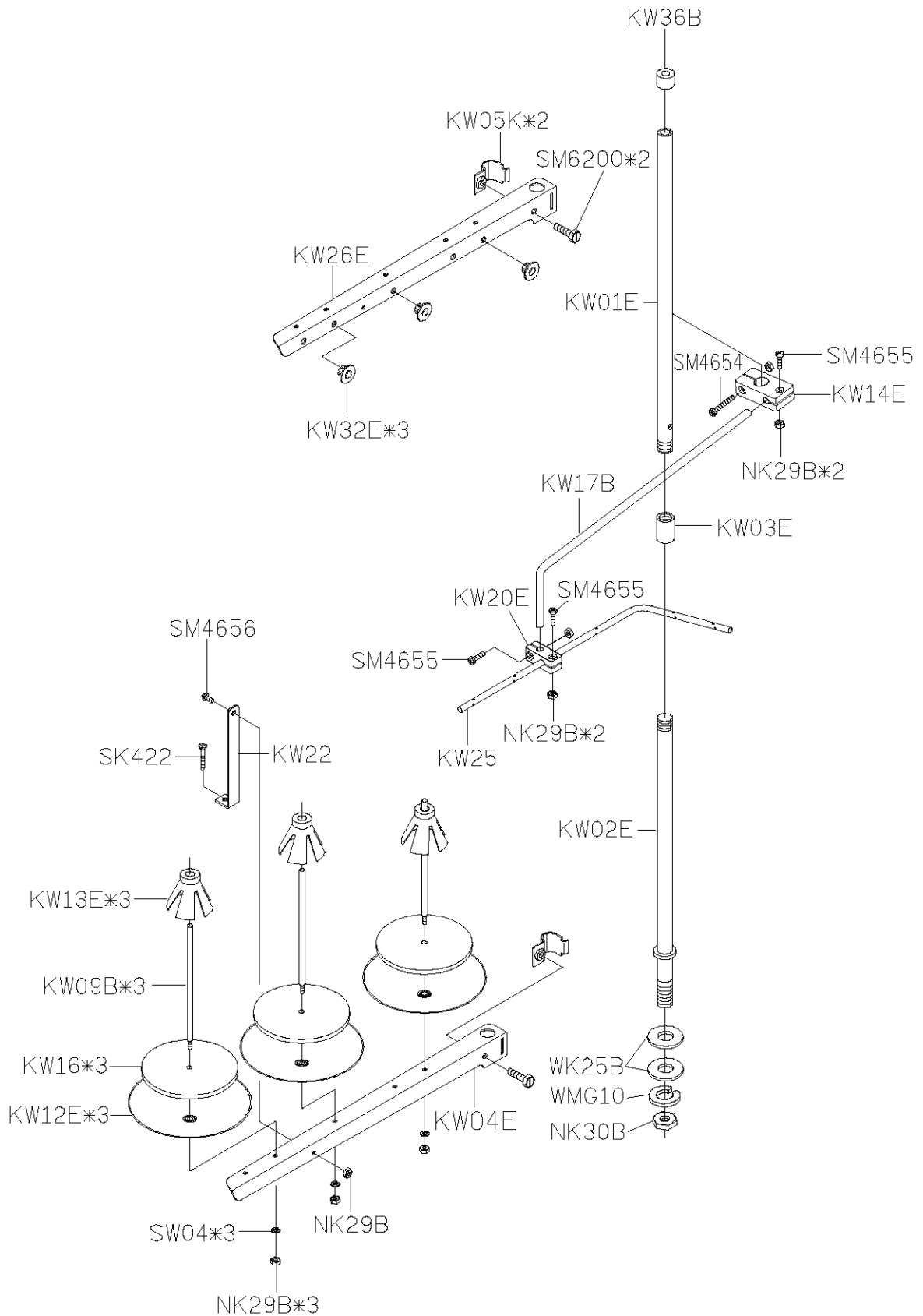
A

B

C

D

E



1

2

3

4

5

KW40E-4

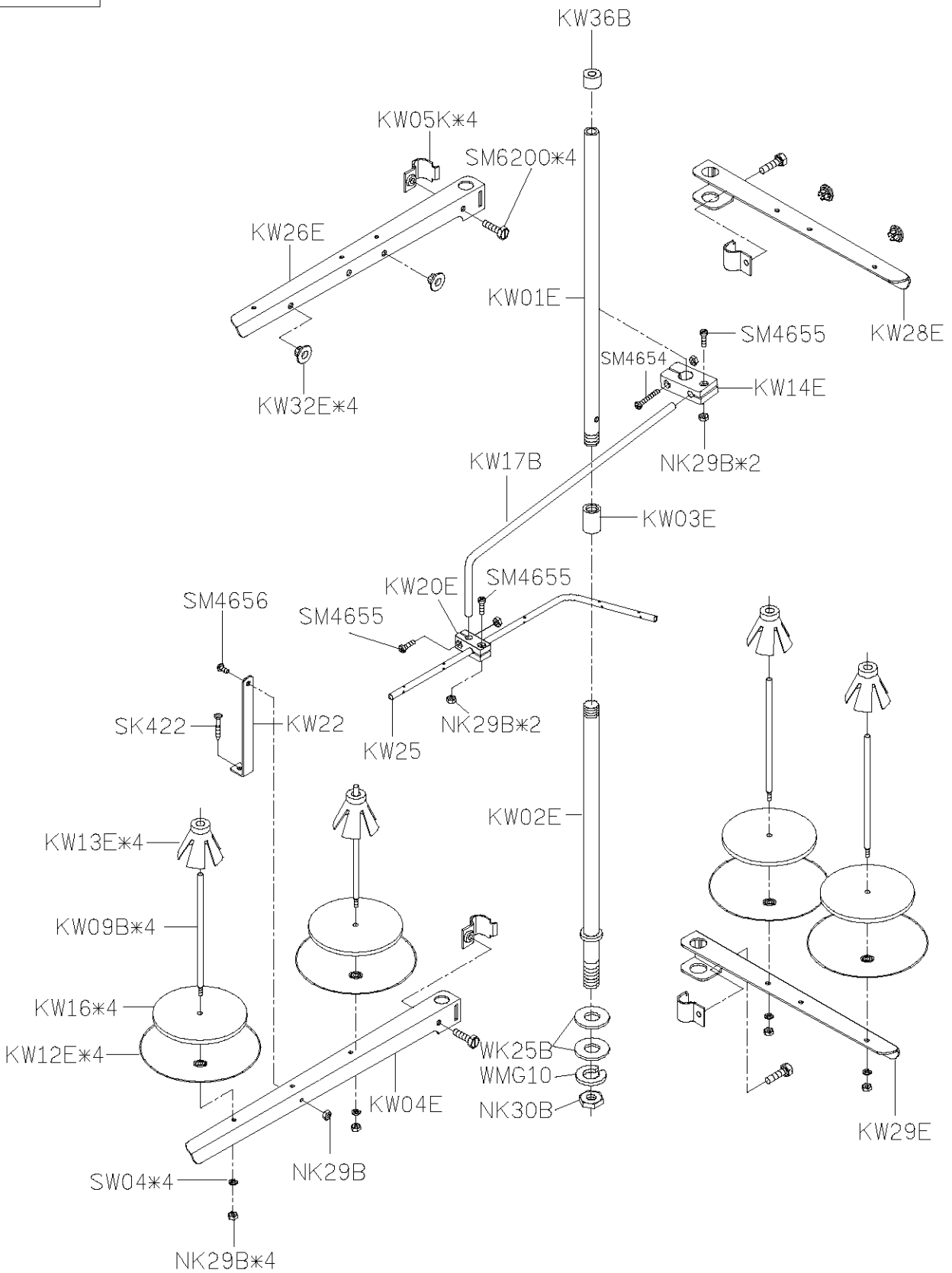
A

B

C

D

E



1

2

3

4

5

KW40E-5

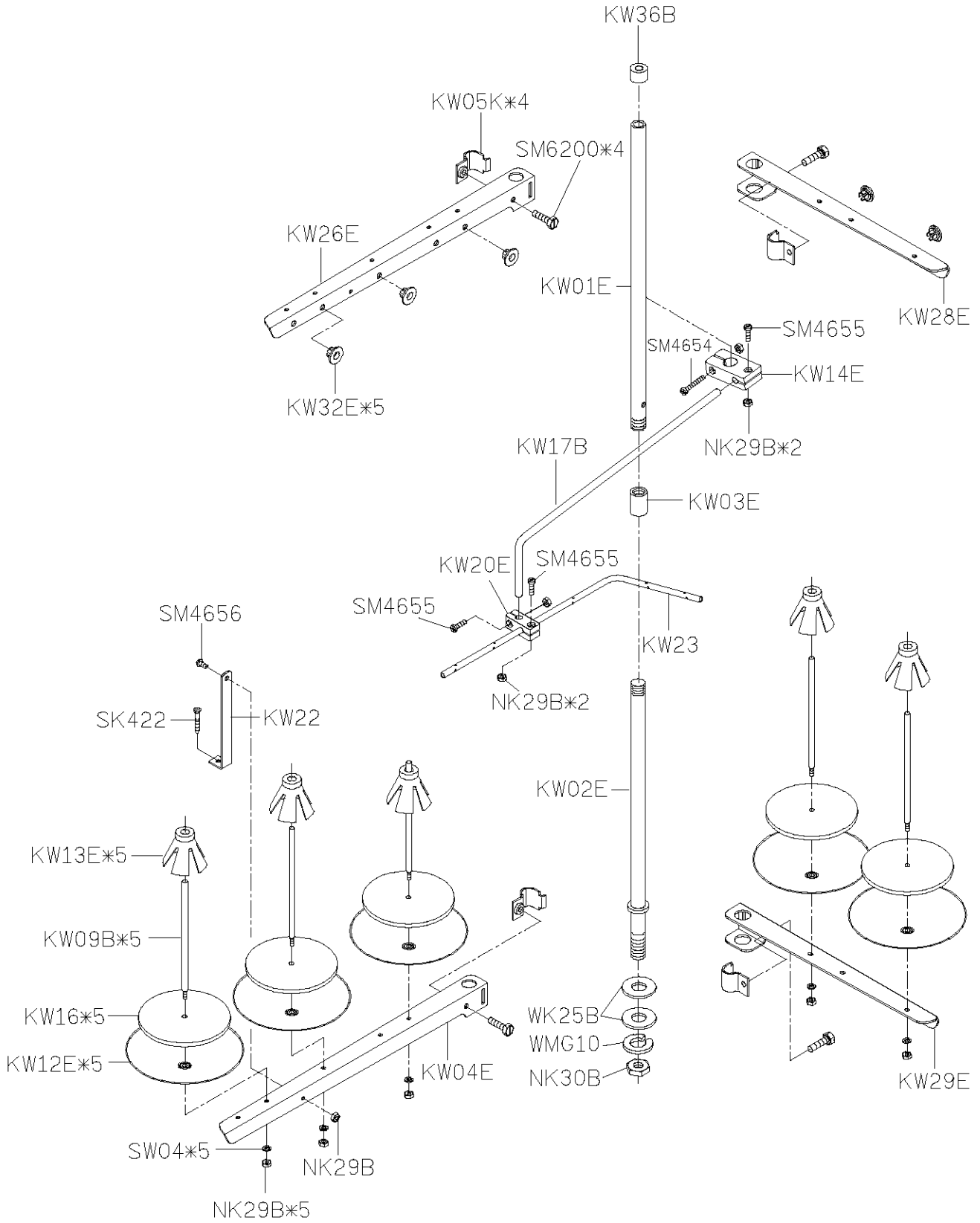
A

B

C

D

E



1

2

3

4

5

KW40E-6

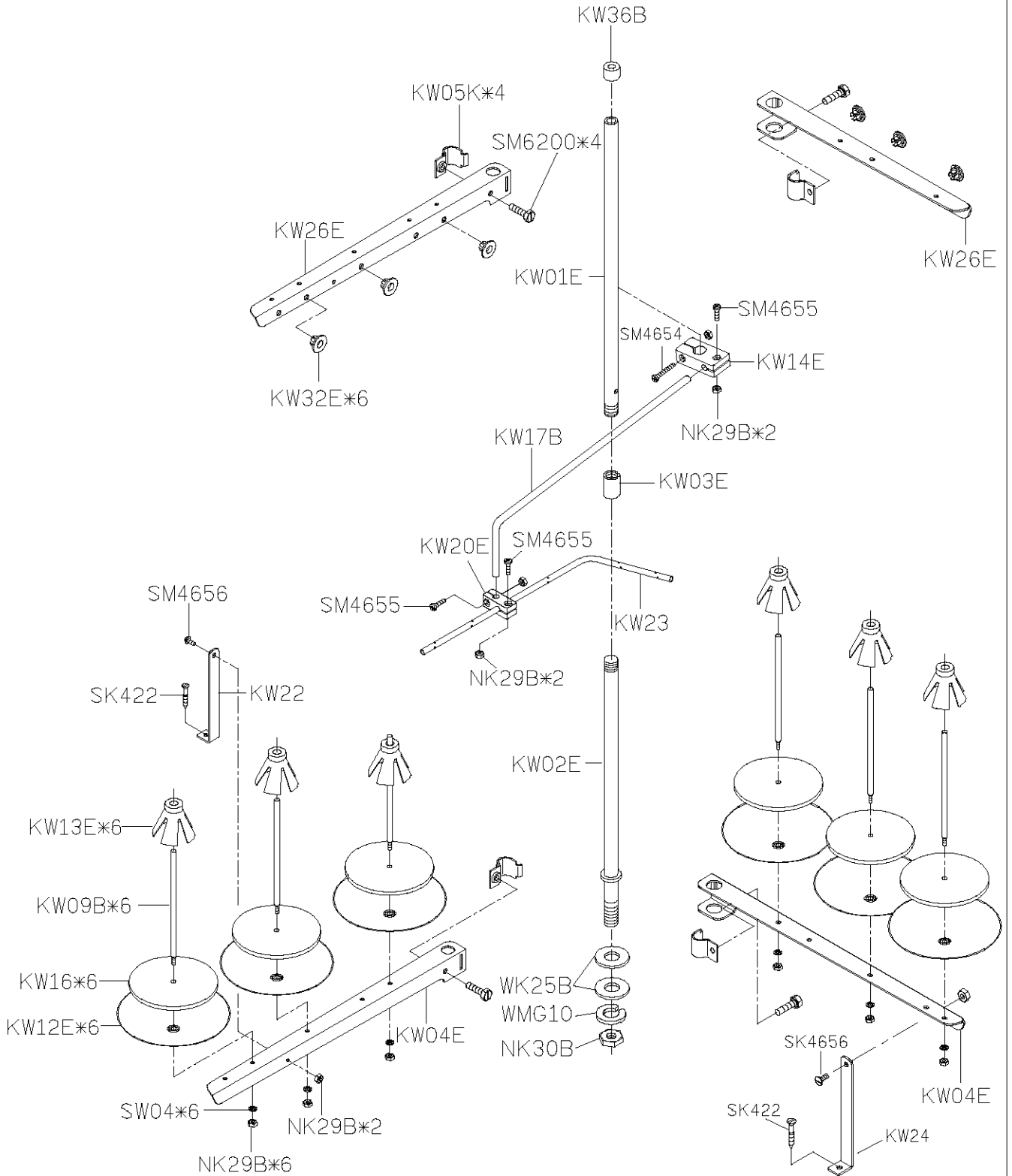
A

B

C

D

E



1

2

3

4

5

<b>SIRUBA</b> <b>PARTS LIST</b>	<b>Series</b>	<b>Parts Group</b>	<b>Subclass Remark</b>	<b>Page</b>
	700K/700KD	<b>KX</b>		1/1
	988/988D			<b>Date</b>
				2013/12/27

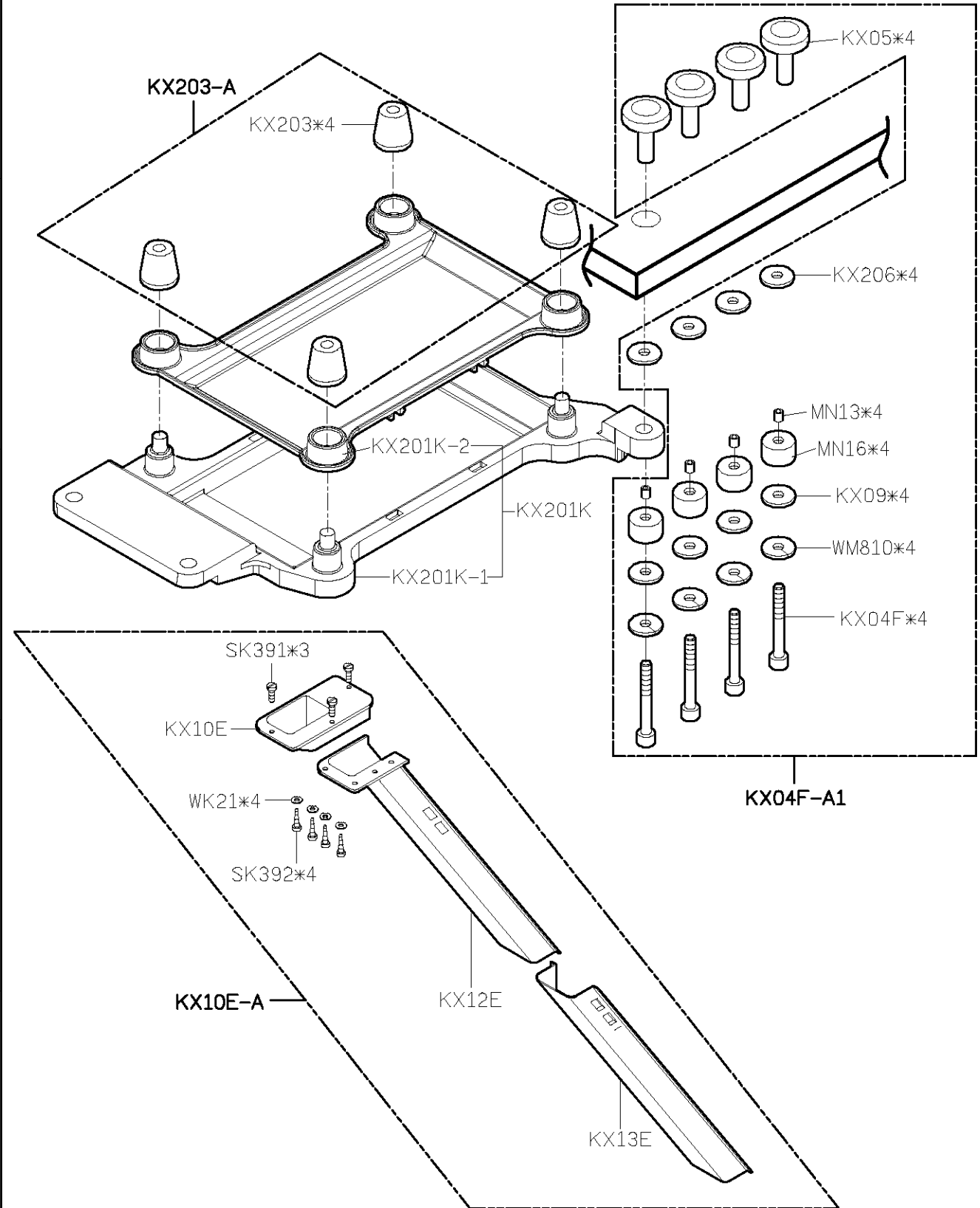
A

B

C

D

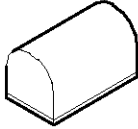




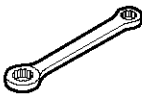
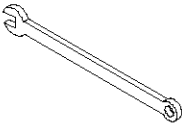




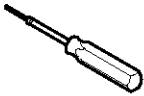
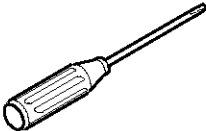
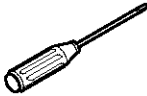

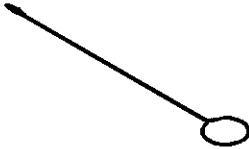
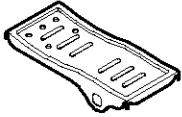



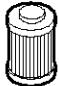
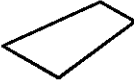

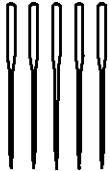
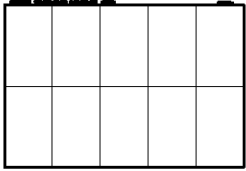
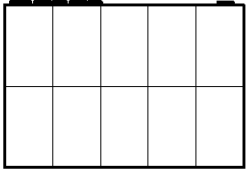
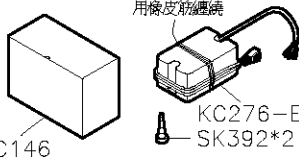
E



1                      2                      3                      4                      5

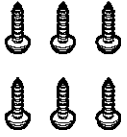


SIRUBA PARTS LIST	Series	Parts Group	Subclass Remark	Page
	700K/700KD 988/988D	KY	#: Use for 700K/988-DKF1 *: Use for 700D/988D	1/2
				Date
				2015/03/11

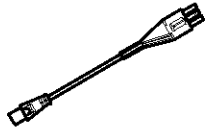
A	KY01-1 防塵罩 	KY203-A 油罐 	KY03 油壺 	KY04 漏斗 	KY05-A 油壺 
B	KY23-A KY23 內六角扳手  KY09 開口扳手 		KY10-A KY10 六角扳手  KY11 六角扳手  KY12 六角扳手 		
C	SK216 螺絲 	KY14 內六角螺絲起子 	KY16-A KY16 一字起子  KY17 一字起子 		KY18 鑷子 
D	KY19 穿線器 	KY20D-A 腳踏板 	KY21-A/MY21-A 鉤子/鍊條 		KY201 工具袋 
E	KR35/KR35C 下刀片 	KT14-A 濾油器 	KY30 針板紙 	KZ03 乾燥濟 	針*5 車針 
	KZ08K 使用說明書 	KZ08K-2 零件圖 	*KC276-A 燈座電器組  KC146 用橡皮筋纏繞 KC276-E SK392*2		
	1	2	3	4	5

SIRUBA PARTS LIST	Series	Parts Group	Subclass Remark	Page
	700K/700KD 988/988D	KY	#: Use for 700K/988-DKF1 *: Use for 700D/988D	2/2
				Date
				2015/03/11

#SK392\*6  
螺絲



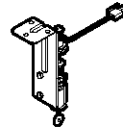
#KD252  
連接線



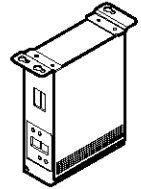
#TML11  
拉杆



#KD249-E  
控速器



#DKF1-C550  
電控箱



A

B

C

D

E

1

2

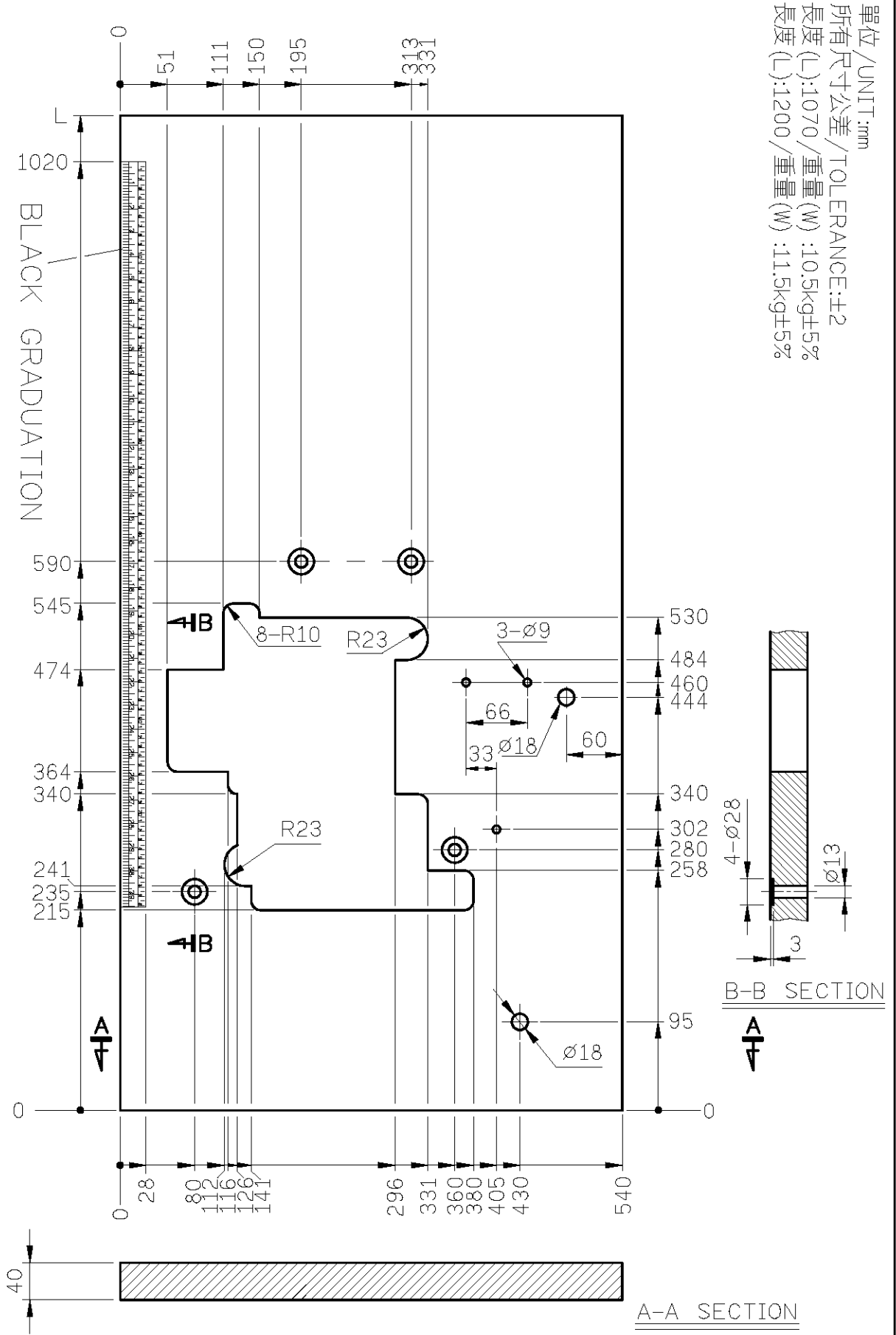
3

4

5



<b>SIRUBA</b> <b>TABLE</b> <b>CUT - OUT</b>	<b>Series</b>	<b>Item Code</b>	<b>Subclass Remark</b>	<b>Mounting</b>
	<b>700K/988</b>	<b>700K-T</b>		<b>Semi-submerged</b>
	<b>700KT</b>			<b>Date</b>
				<b>2016/05/04</b>

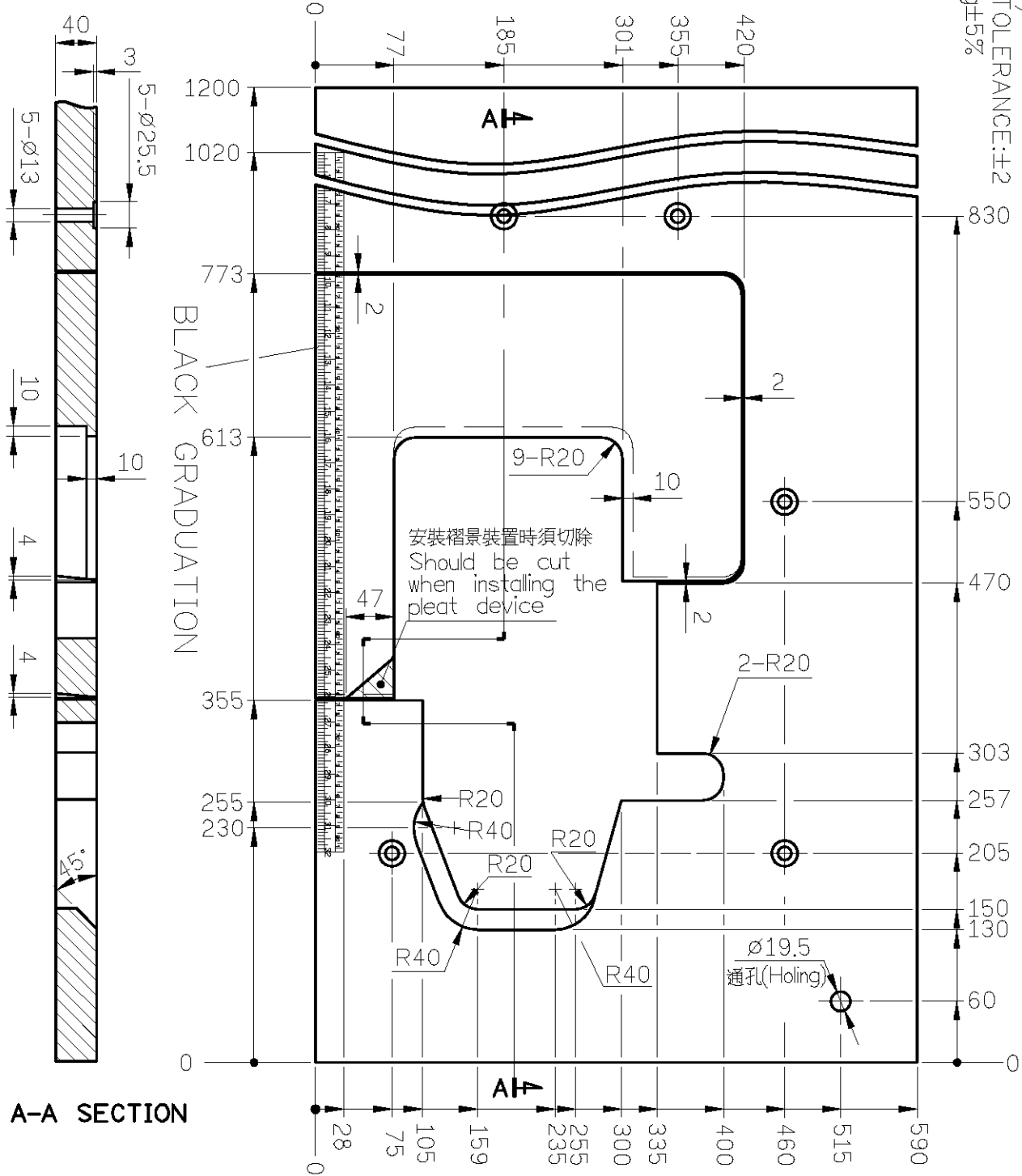






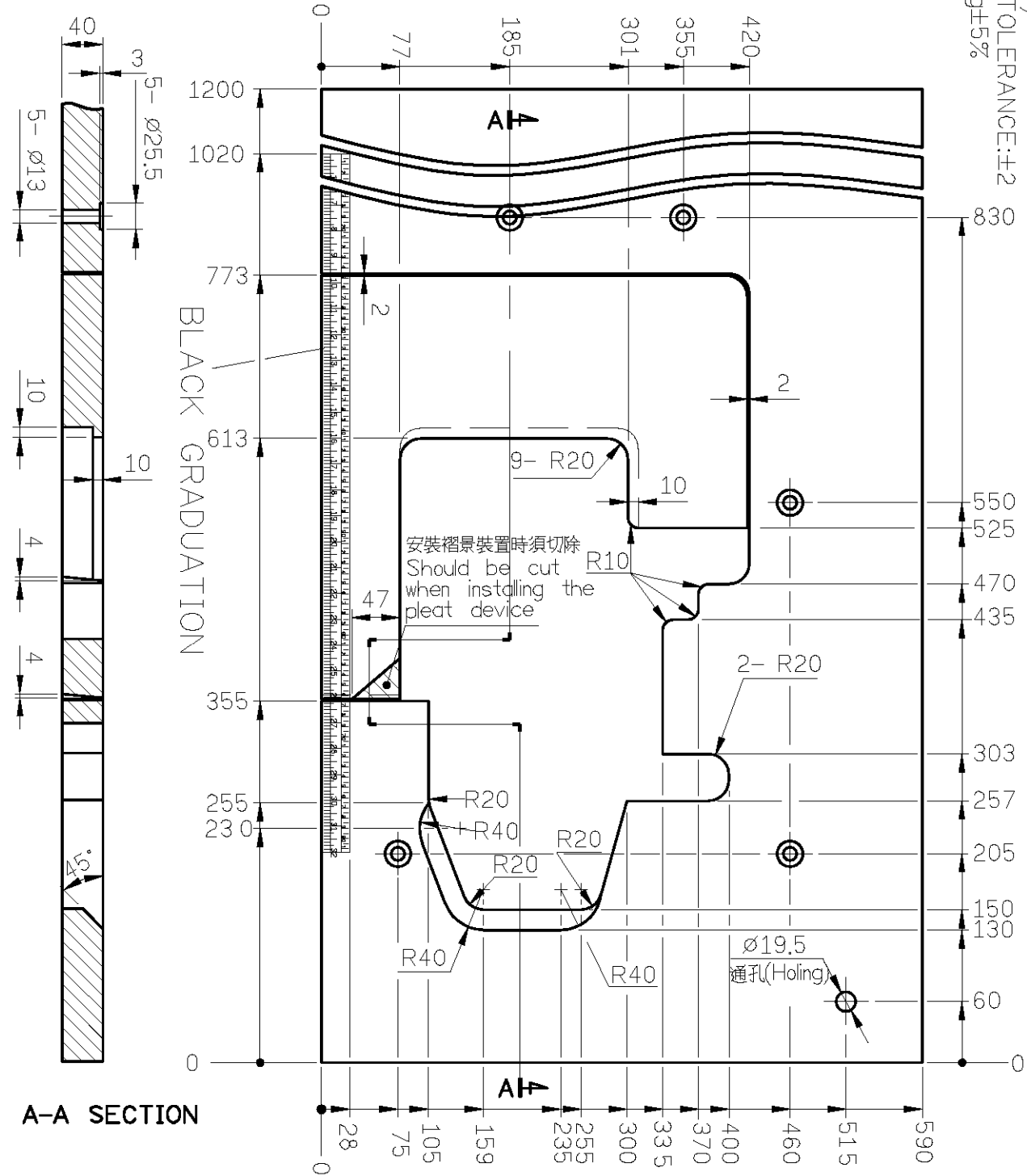
<b>SIRUBA</b> <b>TABLE</b> <b>CUT - OUT</b>	<b>Series</b>	<b>Item Code</b>	<b>Subclass Remark</b>	<b>Mounting</b>
	700K/988	700K-T2	需配TBK-1 (包含TB201) Collocate With TBK-1 (Including TB201)	<b>Fully-submerged</b>
				<b>Date</b> 2016/05/05

單位 / UNIT : mm  
FOR 700K / 988  
所有尺寸公差 / TOLERANCE : ±2  
重量 (W) : 12.4kg ± 5%



<b>SIRUBA</b> <b>TABLE</b> <b>CUT - OUT</b>	<b>Series</b>	<b>Item Code</b>	<b>Subclass Remark</b>	<b>Mounting</b>
	700K/988	700K-T3	For:EC、CT、VT 需配TBK-1 (包含TB201) Collocate With TBK-1 (Including TB201)	<b>Fully-submerged</b>
				<b>Date</b> 2016/04/28

單位 / UNIT : mm  
FOR 700K / 988  
所有尺寸公差 / TOLERANCE : ±2  
重量 (W) : 12.4kg ± 5%



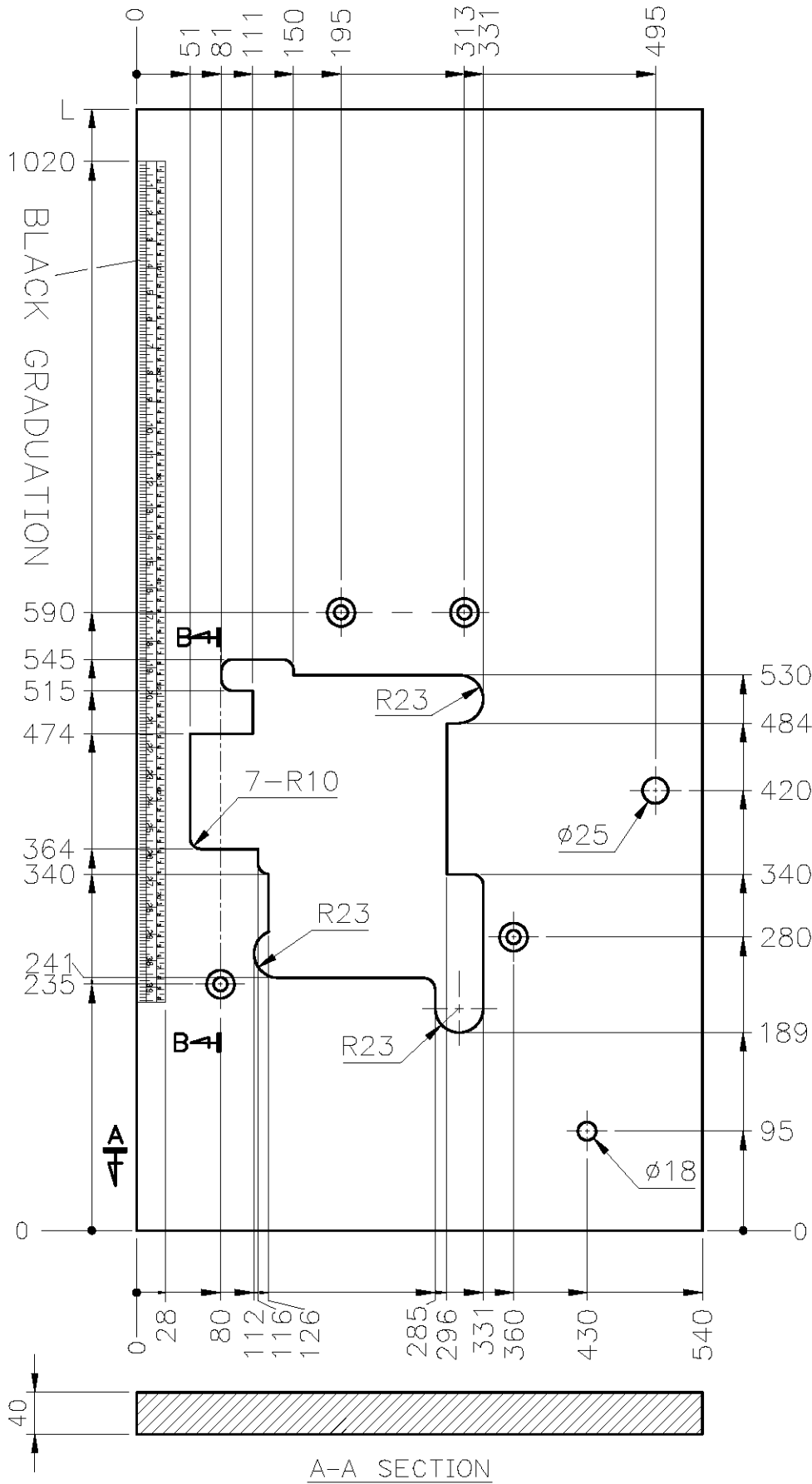
**SIRUBA**  
TABLE  
CUT - OUT

Series  
**700K**

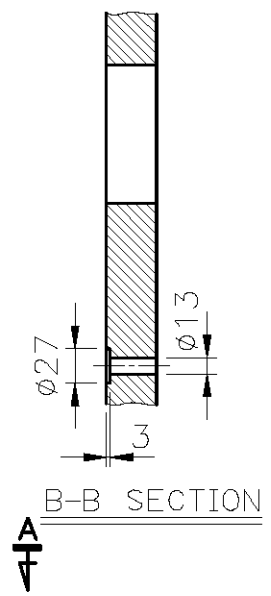
Item Code  
**700K-T4**

Subclass Remark  
**FOR BKF**

Mounting  
Semi-submerged  
Date  
**2016/05/05**



單位 / UNIT : mm  
所有尺寸公差 / TOLERANCE : ±2  
長度 (L) : 1070 / 重量 (W) : 10.5kg ± 5%  
長度 (L) : 1200 / 重量 (W) : 11.5kg ± 5%



<b>SIRUBA</b> <b>TABLE</b> <b>CUT - OUT</b>	<b>Series</b>	<b>Item Code</b>	<b>Subclass Remark</b>	<b>Mounting</b>
	700K/988	TB201		Fully-submerged Fixed Table
				Date
				2016/04/28

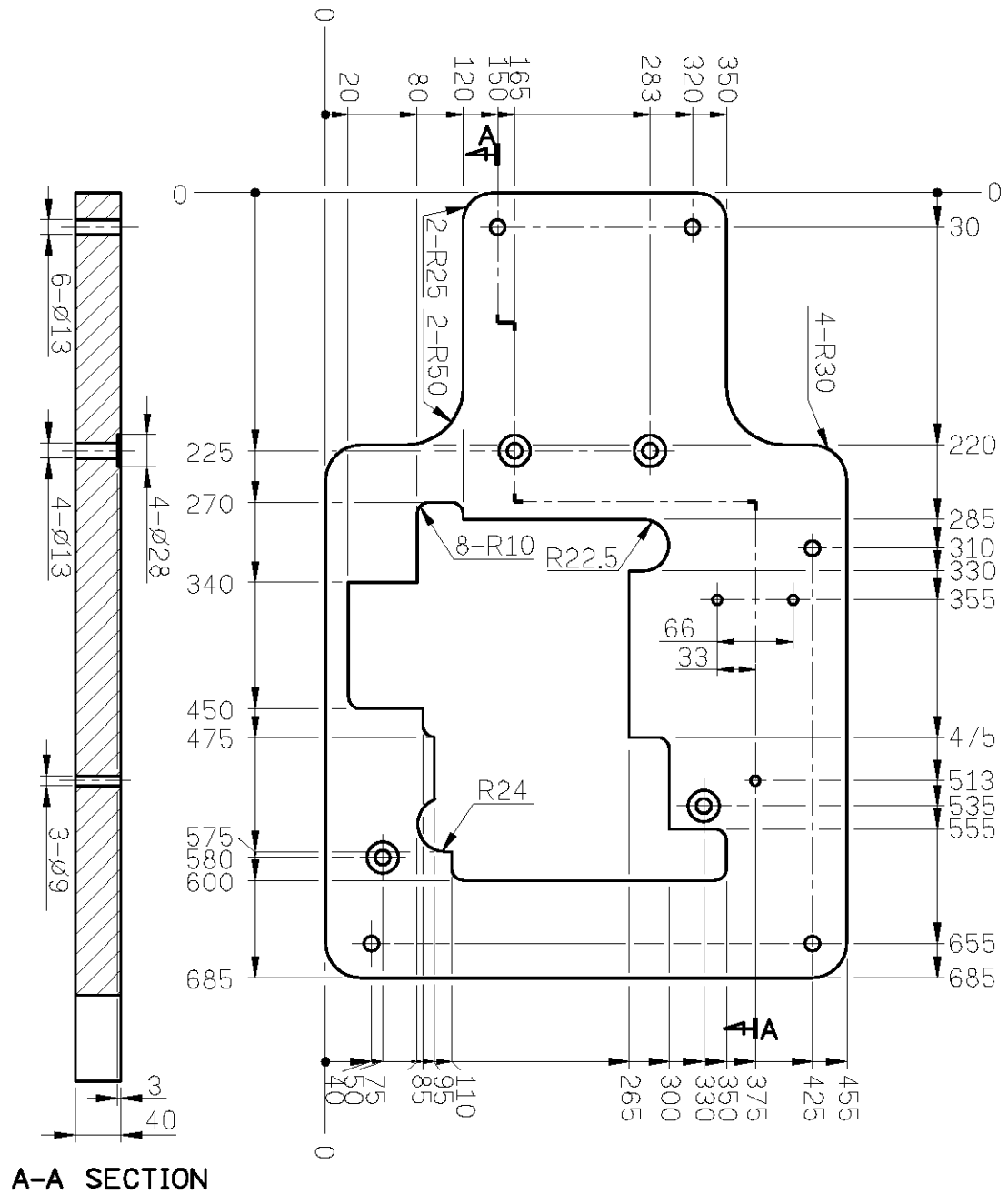
單位/UNIT:mm

FOR 700K/988

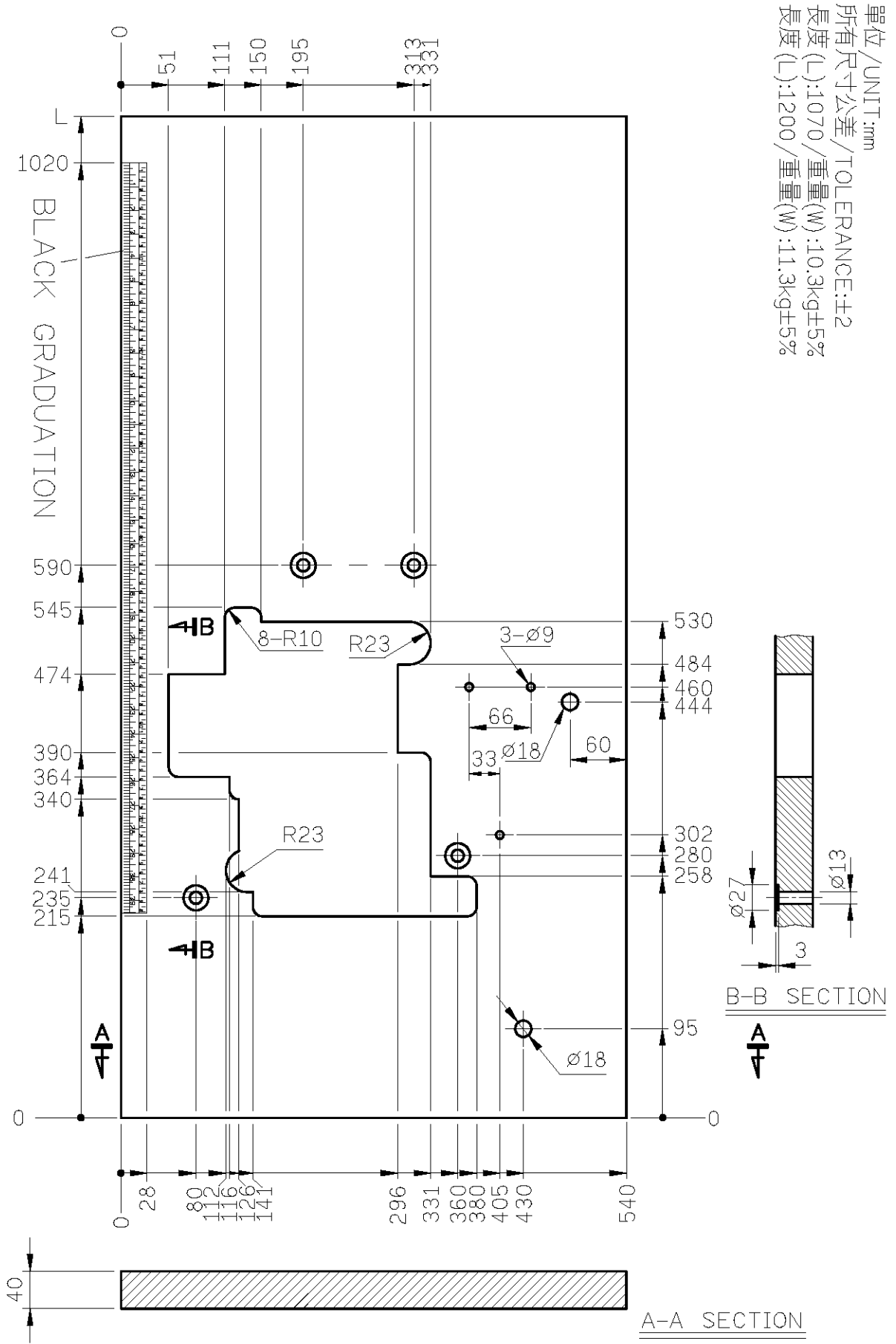
所有尺寸公差/DIFFERENCE:±2

重量(W):4.25kg±5%

全封邊灰格紋光塑面台板/Plastic Table With All Sides Sealed With Gray Plaid



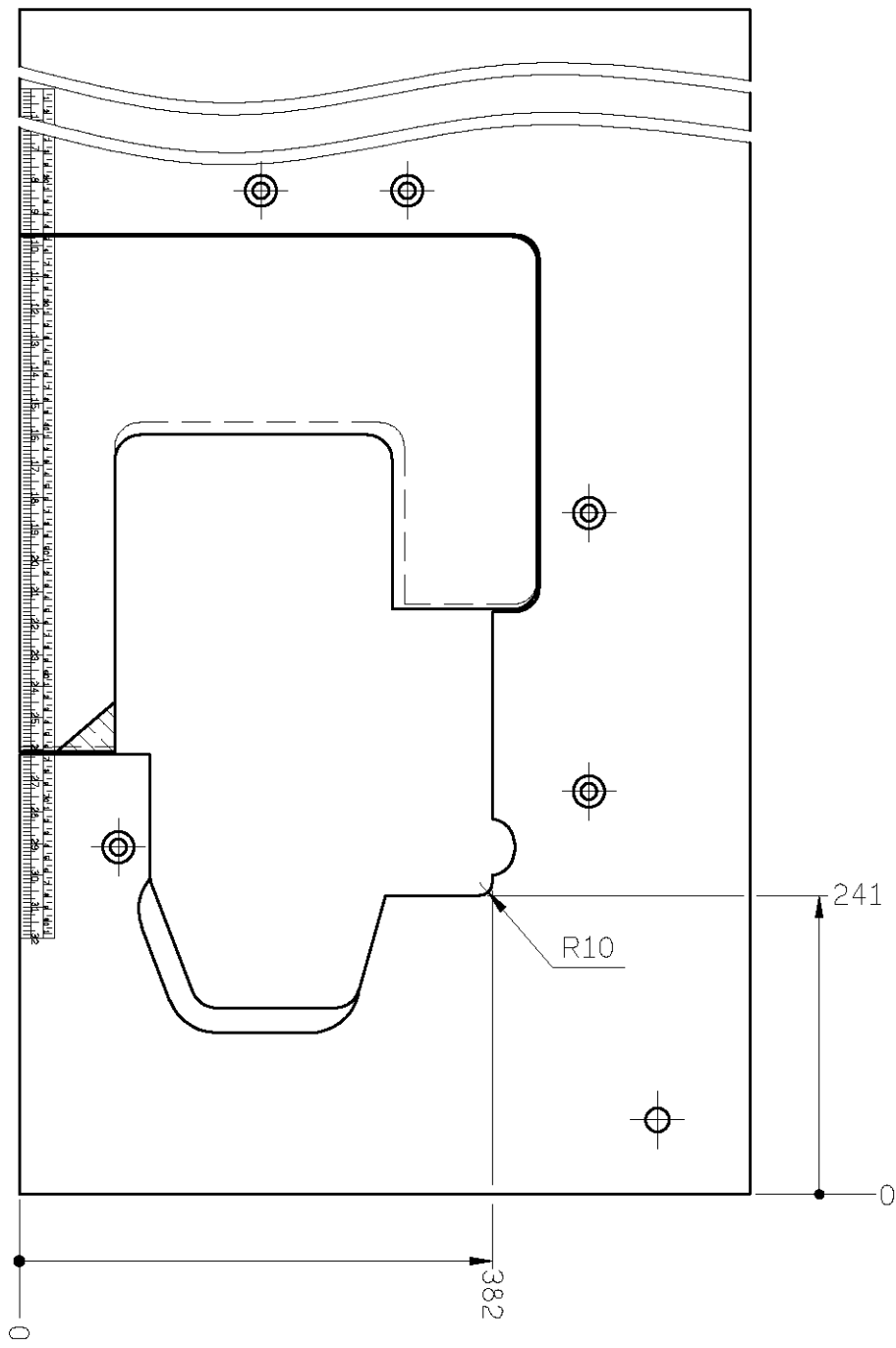
<b>SIRUBA</b> <b>TABLE</b> <b>CUT - OUT</b>	<b>Series</b>	<b>Item Code</b>	<b>Subclass Remark</b>	<b>Mounting</b>
	700KD/988D	700KD-T		<b>Semi-submerged</b>
				<b>Date</b>
				<b>2016/05/05</b>





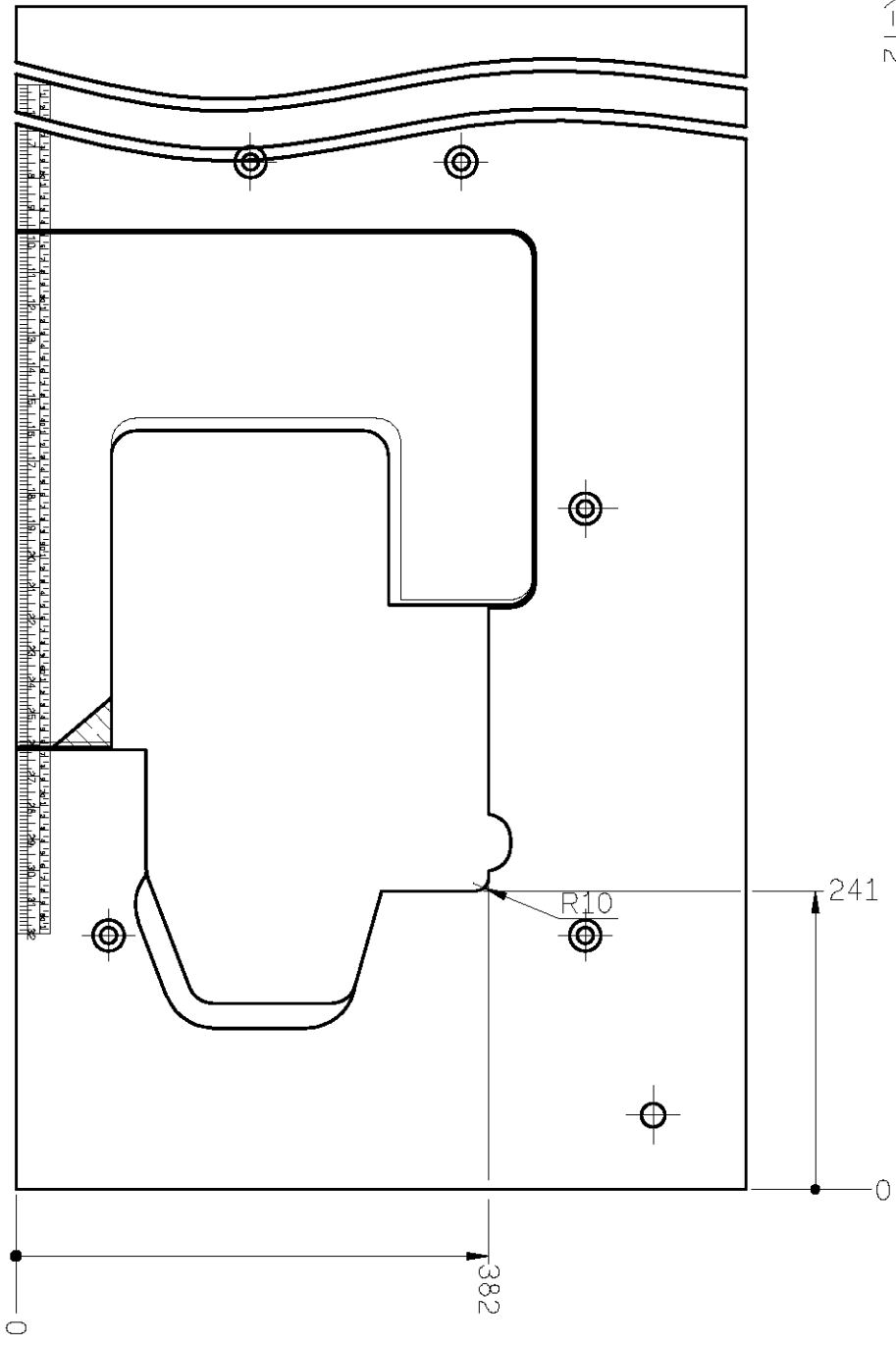
SIRUBA TABLE CUT - OUT	Series	Item Code	Subclass Remark	Mounting
	700KD/988D	700KD-T1	需配TBK(包含TB202/TB203) (需搭KX201舊底盤)	Fully-submerged
				Date
				2012/11/18

單位 /UNIT: mm  
 所有尺寸公差 / TOLERANCE: ±2  
 重量 (W): 12.2kg±5%  
 其餘尺寸同 700K-T1



<b>SIRUBA</b> <b>TABLE</b> <b>CUT - OUT</b>	<b>Series</b>	<b>Item Code</b>	<b>Subclass Remark</b>	<b>Mounting</b>
	700KD/988D	700KD-T2	需配TBKD-1(包含TB201D)	<b>Fully-submerged</b>
				<b>Date</b> 2016/05/05

單位/UNIT:mm  
 FOR 700KD/988D  
 所有尺寸公差/TOLERANCE:±2  
 重量(W):12.2kg±5%  
 其餘尺寸同700K-T2



<b>SIRUBA</b> TABLE CUT - OUT	<b>Series</b>	<b>Item Code</b>	<b>Subclass Remark</b>	<b>Mounting</b>
	700KD/988D	700KD-T3	For: FLP、EC、CT、VT 需配TBKD-1(包含TB201D)	<b>Fully-submerged</b>
				<b>Date</b>
				<b>2012/11/18</b>

單位 / UNIT : mm  
 FOR 700KD / 988D  
 所有尺寸公差 / TOLERANCE : ±2  
 重量 (W) : 11.9kg ± 5%  
 其餘尺寸同 700KD-T2

